

# CP 125 EX manual call point



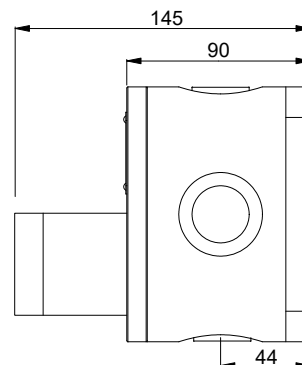
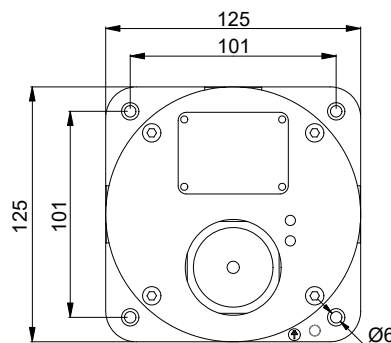
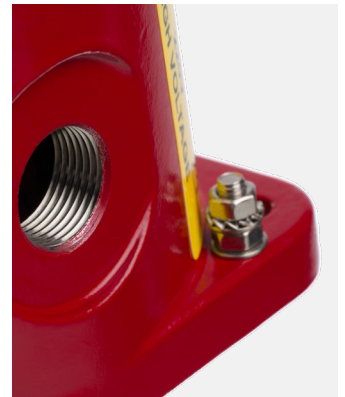
The flameproof CP125 manual call point is ATEX / IECEx certified for use in potentially explosive atmospheres. It can be used in conjunction with a fire alarm system and will activate alarms to alert personnel to potential dangers, help signal the need for immediate action in emergency situations and more. Also known as explosion proof fire alarm call point or manual call point (MCP) or “Break Glass” Call Point. Optional SIL2 IEC61508 certification.

**ATEX / IECEx Certification:** ATEX Zone 1 and Zone 2 Certified for group IIC gas / vapour and Zone 21 and Zone 22 compliant for dust / powder applications.

**Application:** Oil and gas, chemical, petrochemical, pharmaceutical, marine and offshore applications

**Key features:** Robust and highly reliable, this Ex manual call point (MCP) is designed for corrosive environments and hazardous areas. Housing is made of stainless steel 316L covered with UV resistant paint. These ATEX / IECEx compliant manual call points are compatible with PLC, ESD and DCS systems. The Manual Call Point is supplied with a hammer and securing chain.

**Options:** Visualisation functions, line detection and glass protection are optional. A range of accessories is available to customise this ATEX / IECEx manual call point. These include pipe mounting brackets, sunshades, tag and duty labels and other accessories.



Phone: +44 (0)1752 333 933 | E-mail: [sales@ex-techsignalling.com](mailto:sales@ex-techsignalling.com) | Website: [www.ex-techsignalling.com](http://www.ex-techsignalling.com)

Ex-tech Signalling Bell Close, Plympton, Devon, PL7 4JH, UK

Please note that whilst effort has been made to ensure the accuracy of this datasheet. Ex-tech Signalling will not assume liability for the use thereof. Ex-tech Signalling reserves the right to improve specifications without prior notice, please refer to our website for updated information or contact our local sales representative.



# CP 125 EX manual call point

| Product | Certification | Switches | Duty label | Tag label | LED indicator | Features | Connection | Housing |
|---------|---------------|----------|------------|-----------|---------------|----------|------------|---------|
| CP      | 125           | S        | N          | Y         | L             | FRD      | Y          | A       |



|     |                  |
|-----|------------------|
| CP  | = CALL POINT     |
| 125 | = HAZARDOUS AREA |
| 126 | = NON-CERTIFIED  |
| S   | = 1              |
| D   | = 2              |
| Y   | = YES (SEE LIST) |
| N   | = NO             |
| Y   | = YES (SEE LIST) |
| N   | = NO             |
| L   | = RED & GREEN    |
| R   | = RED            |
| G   | = GREEN          |
| N   | = NO LED         |

|   |   |               |
|---|---|---------------|
| RD  | ● | = RED (STD)   |
| YW  | ● | = YELLOW      |
| BU  | ● | = BLUE        |
| BL  | ● | = BLACK       |
| GN  | ● | = GREEN       |
| GY  | ● | = GREY        |
| OJ  | ● | = ORANGE      |
| <p>A = 4 x M20 x 1.5<br/>                     B = 1 x M25 x 1.5 + 3 x M20 x 1.5<br/>                     C = 1 x 1/2" NPT + 3 x M20 x 1.5<br/>                     D = 1 x 3/4" NPT + 3 x M20 x 1.5</p> <p>Additional adaptors can be supplied as well as blanking plugs and cable glands, see below.</p> |   |               |
| F   |   | = LIFT FLAP   |
| R   |   | = RESISTOR(S) |
| D   |   | = DIODE(S)    |
| N   |   | = NO FEATURES |

| CONDUIT ACCESSORIES              |              |
|----------------------------------|--------------|
| M20 316L St. St Exd conduit plug | SPARE3060009 |
| St. St Exd cable gland 10-16mm   | SPARE3060109 |
| 1/2" NPT St. St. conduit adaptor | SPARE3060106 |
| St. St Exd cable gland 7-12mm    | SPARE3060108 |
| M25 St. St. conduit adaptor      | SPARE3060105 |
| 3/4" NPT St. St. conduit adaptor | SPARE3060107 |

| CONDUIT ACCESSORIES          |              |
|------------------------------|--------------|
| M20 NPB Exd conduit plug     | SPARE3060008 |
| NPB Exd cable gland 10-16mm  | SPARE3060018 |
| 1/2" NPT NPB conduit adaptor | SPARE3060019 |
| NPB Exd cable gland 7-12mm   | SPARE3060108 |
| M25 NPB conduit adaptor      | SPARE3060105 |
| 3/4" NPT NPB conduit adaptor | SPARE3060002 |