

CP 150 EX manual call point



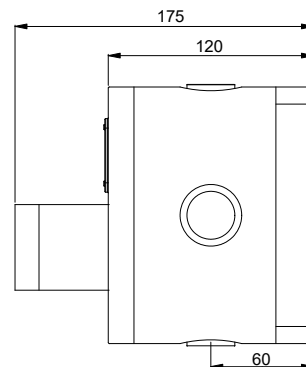
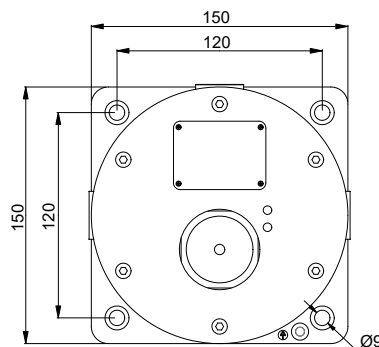
The flameproof CP150 manual call point is ATEX / IECEx certified for use in potentially explosive atmospheres. It can be used in conjunction with a fire alarm system and will activate alarms to alert personnel to potential dangers, help signal the need for immediate action in emergency situations and more. Also known as explosion proof fire alarm call point, manual call point (MCP) or “Break Glass” call point. Optional SIL2 IEC61508 certifications.

ATEX / IECEx Certification: ATEX Zone 1 and Zone 2 Certified for group IIC gas / vapour applications and Zone 21 and Zone 22 compliant for dust / powder applications.

Application: Oil and gas, chemical, petrochemical, pharmaceutical, marine and offshore applications.

Key features: Robust and highly reliable, this Ex manual call point (MCP) / Break Glass call point is designed for corrosive environments and hazardous areas. The housing is moulded in Glass-Reinforced Polyester (GRP), protected by an UV resistant paint. These ATEX / IECEx compliant manual call points / “Break Glass” call points are compatible with PLC, ESD and DCS systems. The Manual Call Point is supplied with a hammer and securing chain.

Options: Visualisation functions, line detection and glass protection are optional. A range of accessories is available to customise this ATEX / IECEx manual call point. These include pipe mounting brackets, sunshades, tag and duty labels and other accessories.




Phone: +44 (0)1752 333 933 | E-mail: sales@ex-techsignalling.com | Website: www.ex-techsignalling.com

Ex-tech Signalling Bell Close, Plympton, Devon, PL7 4JH, UK

Please note that whilst effort has been made to ensure the accuracy of this datasheet. Ex-tech Signalling will not assume liability for the use thereof. Ex-tech Signalling reserves the right to improve specifications without prior notice, please refer to our website for updated information or contact our local sales representative.

CP 150 EX manual call point

MATERIAL	• Enclosure: Glass-Reinforced Polyester (GRP)
COLOUR	• RED : RAL3001/3028 • YELLOW : RAL1018 • BLUE : RAL5005 • BLACK : RAL9005 • GREEN : RAL6032 • GREY : RAL7038 • ORANGE : RAL2010
INGRESS PROTECTION	• IP66/67
AMBIENT TEMPERATURE FOR OPERATION	• T6 = - 40°C ~ + 55°C , T5 = - 40°C ~ + 60°C, T4 = - 40°C ~ + 70°C
CERTIFICATION	• Nemko 13 ATEX 1564X, IECEX NEM 13.0034X
EX CODE	 • II 2 GD Ex d IIC T6 Gb • Ex tb IIIC T85°C
STANDARD	• EN / IEC 60079-0, EN / IEC 60079-1, EN / IEC 60079-31
ATEX AREA ZONE	• Gas zone: 1 & 2 Dust zone: 21 & 22
AMBIENT HUMIDITY*	• up to 95%
RATED IMPULSE WITHSTAND VOLTAGE	• 1kV following IEC 61000-4-5
CONTACT TYPE	• 1x C/O or 2x C/O
RATING	• AC 125/250 V (50/60Hz) =11A*** ; 30V DC = 6A***; 125 V DC = 0,3A***; 250 V DC = 0,6A***
MINIMUM VOLTAGE AND CURRENT	• DC 5V 10mA
SHORTS CIRCUIT PROTECTION	• 10 A gG
CABLES ENTRY	• 4 x M20, 1 x M25 + 3 x M20, 1 x 1/2" NPT + 3 x M20, 1 x 3/4" NPT + 3 x M20
TERMINAL	• From 22 to 14 AWG - from 0.50 mm ² to 2.5 mm ²
NET WEIGHT	• 3.5 Kg
LINE RESISTOR**	• 470 Ohms** • 1 watt
SIGNALLING LED**	• Green U =24VDC I= 10 mA ; Red U=24V DC I = 20mA

* = without runoff - ** = optional - *** = resistive load - cable gland and blind plug not provided

Phone: +44 (0)1752 333 933 | E-mail: sales@ex-techsignalling.com | Website: www.ex-techsignalling.com

Ex-tech Signalling Bell Close, Plympton, Devon, PL7 4JH, UK

Please note that whilst effort has been made to ensure the accuracy of this datasheet. Ex-tech Signalling will not assume liability for the use thereof. Ex-tech Signalling reserves the right to improve specifications without prior notice, please refer to our website for updated information or contact our local sales representative.

CP 150 EX manual call point

Product	Certification	Switches	Duty label	Tag label	LED indicator	Features	Connection	Housing
CP	125	S	N	Y	L	FRD	Y	A



CP	= CALL POINT
150	= HAZARDOUS AREA
151	= NON-CERTIFIED
S	= 1
D	= 2
Y	= YES (SEE LIST)
N	= NO
Y	= YES (SEE LIST)
N	= NO
L	= RED & GREEN
R	= RED
G	= GREEN
N	= NO LED

RD	●	= RED (STD)
YW	●	= YELLOW
BU	●	= BLUE
BL	●	= BLACK
GN	●	= GREEN
GY	●	= GREY
OJ	●	= ORANGE
OR	○	= OTHER
A = 4 x M20 x 1.5		
B = 1 x M25 x 1.5 + 3 x M20 x 1.5		
C = 1 x 1/2" NPT + 3 x M20 x 1.5		
D = 1 x 3/4" NPT + 3 x M20 x 1.5		
Additional adaptors can be supplied as well as blanking plugs and cable glands, see below.		
F	= LIFT FLAP	
R	= RESISTOR(S)	
D	= DIODE(S)	
N	= NO FEATURES	

CONDUIT ACCESSORIES	
M20 316L St. St Exd conduit plug	SPARE3060009
St. St Exd cable gland 10-16mm	SPARE3060109
1/2" NPT St. St. conduit adaptor	SPARE3060106
St. St Exd cable gland 7-12mm	SPARE3060108
M25 St. St. conduit adaptor	SPARE3060105
3/4" NPT St. St. conduit adaptor	SPARE3060107

CONDUIT ACCESSORIES	
M20 NPB Exd conduit plug	SPARE3060008
NPB Exd cable gland 10-16mm	SPARE3060018
1/2" NPT NPB conduit adaptor	SPARE3060019
NPB Exd cable gland 7-12mm	SPARE3060108
M25 NPB conduit adaptor	SPARE3060105
3/4" NPT NPB conduit adaptor	SPARE3060002

Phone: +44 (0)1752 333 933 | E-mail: sales@ex-techsignalling.com | Website: www.ex-techsignalling.com

Ex-tech Signalling Bell Close, Plympton, Devon, PL7 4JH, UK

Please note that whilst effort has been made to ensure the accuracy of this datasheet. Ex-tech Signalling will not assume liability for the use thereof. Ex-tech Signalling reserves the right to improve specifications without prior notice, please refer to our website for updated information or contact our local sales representative.