

## SB 125 Series combined products



The flameproof SB125 sounder and beacon combination is ATEX / IECEx certified for use in potentially explosive atmospheres and provides clear visual and audible status indication (can be labelled accordingly). It is constructed from 316L stainless steel.

**ATEX / IECEx Certification:** ATEX Zone 1 and Zone 2 Certified for gas / vapour and Zone 21 and Zone 22 compliant for dust / powder applications.

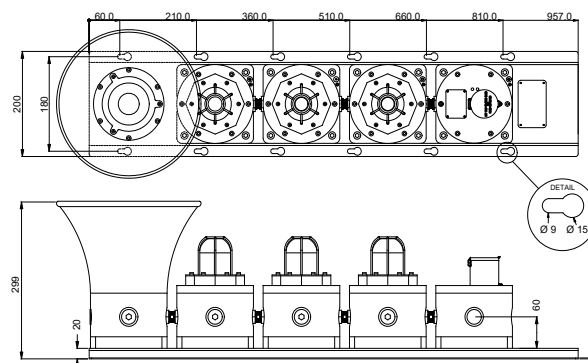
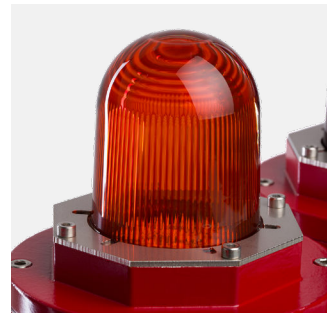
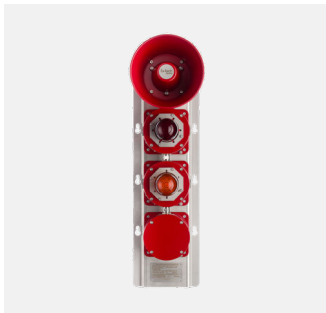
**Application:** Oil and gas, chemical, petrochemical, pharmaceutical, marine and offshore applications.

**Key features:** The explosion proof set is provided with a combination of sounder and beacons. Robust and highly reliable, the Ex assembly is designed for corrosive environments and hazardous areas. The housing is 316L stainless steel protected by an UV resistant paint. The lens is made with borosilicate glass 3.3. The set is assembled on a stainless steel 316L backplate.

**Options:** The explosion proof sounder (horn) can be set with up to three tones among 59 prerecorded tones (according to user control system). Pausing of the signal can be done by an external switch. The explosion proof assembly can be delivered with two different light sources:

- LED with steady, rotary or flashing of different intensity.
- Flashing with XENON tube of different intensity.
- Four flashing frequencies are selectable.
- One of the beacons can be replaced by a push button or a junction box if required
- The sounder and beacons can be triggered either jointly or independently.

A range of accessories is available to customise this ATEX / IECEx status light package. These include pipe mounting brackets, sunshades, tag and duty labels and other accessories.




Phone: +44 (0)1752 333 933 | E-mail: [sales@ex-techsignalling.com](mailto:sales@ex-techsignalling.com) | Website: [www.ex-techsignalling.com](http://www.ex-techsignalling.com)

Ex-tech Signalling Bell Close, Plympton, Devon, PL7 4JH, UK

Please note that whilst effort has been made to ensure the accuracy of this datasheet. Ex-tech Signalling will not assume liability for the use thereof. Ex-tech Signalling reserves the right to improve specifications without prior notice, please refer to our website for updated information or contact our local sales representative.

# SB 125 Series combined products

MATERIAL	• <b>Enclosure:</b> Stainless Steel 316L		• <b>Lens:</b> Tempered borosilicate glass 3.3			
COLOUR	• RED : RAL3001		• YELLOW : RAL1018		• BLUE : RAL5005	
	• BLACK : RAL9005		• GREEN : RAL6032		• GREY : RAL7038	
	• ORANGE : RAL2010					
INGRESS PROTECTION	• IP66/67					
AMBIENT TEMPERATURE FOR OPERATION	• <b>T6</b> = - 40°C ~ + 55°C , <b>T5</b> = - 40°C ~ + 60°C, <b>T4</b> = - 40°C ~ + 70°C					
CERTIFICATION	• <b>Nemko</b> 13 ATEX 1566X, IECEX NEM 13.0036X					
EX CODE	 • II 2 GD Ex d IIC T4 ~ T6 Gb • Ex tb IIIC T135°C ~T85°C					
STANDARD	• EN / IEC 60079-0, EN / IEC 60079-1, EN / IEC 60079-31					
ATEX AREA ZONE	• <b>Gas zone:</b> 1 & 2 <b>Dust zone:</b> 21 & 22					
CANDELA LENS COLOUR	• Red: 0.15 • Amber: 0.51 • Blue: 0.12 • Green: 0.49 • Yellow: 0.85 • Clear: 1					
LIGHT TYPE	<b>Flash tube (XENON)</b>			<b>LED</b>		
TRUE LIGHT INTENSITY	• <b>5 joules</b> = 109 Cd		• <b>10 joules</b> = 293 Cd		• <b>5 W</b> = 128 Cd	
	• <b>15 joules</b> = 395 Cd		• <b>21 joules</b> = 424 Cd		• <b>10W</b> = 312 Cd	
PEAK LIGHT INTENSITY	• <b>5 joules</b> = 35970 Cd		• <b>10 joules</b> = 66804 Cd			
	• <b>15 joules</b> = 83345 Cd		• <b>21 joules</b> = 95824 Cd			
LIFETIME	• Emissions are reduced to 70% after 8 million flashes			• >50 000 hours without luminosity decreasing		
FLASHING OR ROTARY FREQUENCY (0 = steady status)	• 60/80/120 times/min • 100/120/150 times/min • 120/150/180 times/min			• 60/75/0 times/min • 60/75/100 times/min • 75/95/0 times/min • 75/95/120 times/min		
CONSUMPTION	• <b>5 joules</b> = 10W		• <b>10 joules</b> = 15W		• <b>5W</b>	
	• <b>15 joules</b> = 20W		• <b>21 joules</b> = 25W		• <b>10W</b>	
AMBIENT HUMIDITY*	• Up to 95%*					
POWER SUPPLY	• 12-48V DC			• 100-240V AC (50/60hz)		
RATED IMPULSE WITHSTAND VOLTAGE	• 1kV following IEC 61000-4-5					
WORKING CURRENT LED	• <b>Power</b>	<b>12V DC</b>	<b>24V DC</b>	<b>48V DC</b>	<b>110V AC</b>	<b>220V AC</b>
	• <b>5W</b>	530 mA	260 mA	120 mA	80 mA	40 mA
	• <b>10W</b>	1100 mA	530 mA	240 mA	160 mA	80 mA
WORKING CURRENT XENON	• <b>Energy</b>	<b>12V DC</b>	<b>24V DC</b>	<b>48V DC</b>	<b>110V AC</b>	<b>220V AC</b>
	• <b>5J</b>	460 mA	280 mA	140 mA	60 mA	35 mA
	• <b>10J</b>	850 mA	490 mA	250 mA	100 mA	60 mA
	• <b>15J</b>	1200 mA	700 mA	360 mA	140 mA	80 mA
	• <b>21J</b>	NA	960 mA	480 mA	180 mA	110 mA

\* = without runoff - \*\* = optional (cable gland and blanking plugs can be supplied if required)

Phone: +44 (0)1752 333 933 | E-mail: [sales@ex-techsignalling.com](mailto:sales@ex-techsignalling.com) | Website: [www.ex-techsignalling.com](http://www.ex-techsignalling.com)

Ex-tech Signalling Bell Close, Plympton, Devon, PL7 4JH, UK

Please note that whilst effort has been made to ensure the accuracy of this datasheet. Ex-tech Signalling will not assume liability for the use thereof. Ex-tech Signalling reserves the right to improve specifications without prior notice, please refer to our website for updated information or contact our local sales representative.

# SB 125 Series combined products

CONSUMPTION SOUNDER	• Adjustable from 5 to 25W (factory setting 20W)
CURRENT CONSUMPTION	• 0.5 to 1 A
SIGNALLING TYPE	• 59 tones siren
NOISE LEVEL	• Until 115 dB at 1m
CABLES ENTRY	• 3 x M20, 1 x M25 + 2 x M20, 1 x 1/2" NPT + 2 x M20, 1 x 3/4" NPT + 2 x M20
TERMINAL	• From 22 to 14 AWG - from 0.50 mm <sup>2</sup> to 2.5 mm <sup>2</sup>
NET WEIGHT	• SB125-2: 11.90 Kg, SB125-3: 16.70 Kg, SB125-4: 20.00 Kg, SB125-5: 25.10 Kg

\* = without runoff - \*\* = optional (cable gland and blanking plugs can be supplied if required)

## Meaning of lens colour usage in the international standard (IEC 60073)

Colour	Meaning	Action	Example
● RED	EMERGENCY	Dangerous state. Take immediate action.	Pressure/Temperature beyond the safe state - Shutdown due to the action of protective devices - Fire alarm - Equipment failure alarm
● AMBER ● YELLOW	ABNORMAL	Abnormal state, near the critical status	Pressure/Temperature above the normal range - Protective device released - Toxic and harmful gases release alarm
● GREEN	SAFE	Normal state	Pressure/Temperature in normal state - Automatic control system is operating normally
● BLUE	MANDATORY	Requires operator's action	Emergency evacuation - Abandon rescue and escape - Abandon platform or abandon ship - Enter the command
○ CLEAR	NO SPECIAL SIGNIFICANCE	If uncertainty for other colors, clear is allowed to be used	General information - Can't exactly use red, yellow, green or blue - Used for the implementation of command - Indicate the measured values

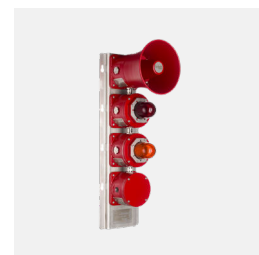
Phone: +44 (0)1752 333 933 | E-mail: [sales@ex-techsignalling.com](mailto:sales@ex-techsignalling.com) | Website: [www.ex-techsignalling.com](http://www.ex-techsignalling.com)

Ex-tech Signalling Bell Close, Plympton, Devon, PL7 4JH, UK

Please note that whilst effort has been made to ensure the accuracy of this datasheet. Ex-tech Signalling will not assume liability for the use thereof. Ex-tech Signalling reserves the right to improve specifications without prior notice, please refer to our website for updated information or contact our local sales representative.

# SB 125 Series combined products

Product	Certification	Combination	Lens colour	Light type	Power	Supply	Duty label	Tag label	Lens guard	Connection	Housing	Standard
SB 125	4B	YRGB	X	05	DC	N	Y	Y	A	RD	N	



**SB = COMBINED PRODUCT**

- 125 = HAZARDOUS AREA
- 126 = NON-CERTIFIED
- 1J = SOUNDER + JUNCTION BOX
- 1B = SOUNDER + BEACON
- 2J = SOUNDER + BEACON + JUNCTION BOX
- 2B = SOUNDER + 2 BEACONS
- 2P = SOUNDER + BEACON + PUSH BUTTON
- 2D = SOUNDER + PUSH BUTTON + JUNCTION BOX
- 3J = SOUNDER + 2 BEACONS + JUNCTION BOX
- 3B = SOUNDER + 3 BEACONS
- 3P = SOUNDER + 2 BEACONS + PUSH BUTTON
- 3D = SOUNDER + BEACON + PUSH BUTTON + JUNCTION BOX
- 4J = SOUNDER + 3 BEACONS + JUNCTION BOX
- 4B = SOUNDER + 4 BEACONS
- 4P = SOUNDER + 3 BEACONS + PUSH BUTTON
- 4D = SOUNDER + 2 BEACONS + PUSH BUTTON + JUNCTION BOX

- R ● = RED
- A ● = AMBER
- B ● = BLUE
- G ● = GREEN
- Y ● = YELLOW
- C ○ = CLEAR

**N/A**

- RD ● = RED (STD)
- YW ● = YELLOW
- BU ● = BLUE
- BL ● = BLACK
- GN ● = GREEN
- GY ● = GREY
- OJ ● = ORANGE
- OR ○ = OTHER

- A = 3 x M20 x 1.5
  - B = 1 x M25 x 1.5 + 2 x M20 x 1.5
  - C = 1 x 1/2" NPT + 2 x M20 x 1.5
  - D = 1 x 3/4" NPT + 2 x M20 x 1.5
- Additional adaptors can be supplied as well as blanking plugs and cable glands, see below.

- Y = YES
- N = NO

- Y = YES
- N = NO

- Y = YES (SEE LIST)
- N = NO

- AC = 12 - 48V DC
- DC = 100 - 240V AC

- 05 = XENON 5J / LED 5W
- 10 = XENON 10J / LED 10W
- 15 = XENON 15J
- 21 = XENON 21J
- 99 = MIXED

- X = XENON
- L = LED
- M = MIXED

CONDUIT ACCESSORIES	
M20 316L St. St Exd conduit plug	SPARE3060009
St. St Exd cable gland 10-16mm	SPARE3060109
1/2" NPT St. St. conduit adaptor	SPARE3060106
St. St Exd cable gland 7-12mm	SPARE3060108
M25 St. St. conduit adaptor	SPARE3060105
3/4" NPT St. St. conduit adaptor	SPARE3060107

CONDUIT ACCESSORIES	
M20 NPB Exd conduit plug	SPARE3060008
NPB Exd cable gland 10-16mm	SPARE3060018
1/2" NPT NPB conduit adaptor	SPARE3060019
NPB Exd cable gland 7-12mm	SPARE3060108
M25 NPB conduit adaptor	SPARE3060105
3/4" NPT NPB conduit adaptor	SPARE3060002