

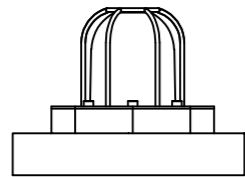
ALL DIMENSIONS IN MILLIMETRES U.O.S.

DO NOT SCALE DRAWING

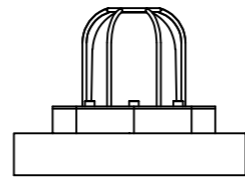
IF IN DOUBT – ASK

6

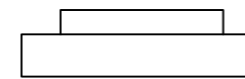
POSITION C  
BEACON



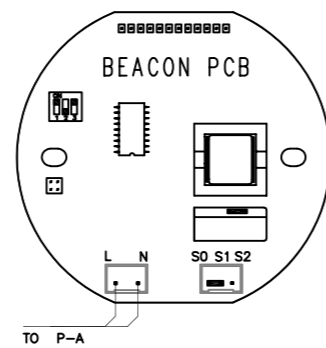
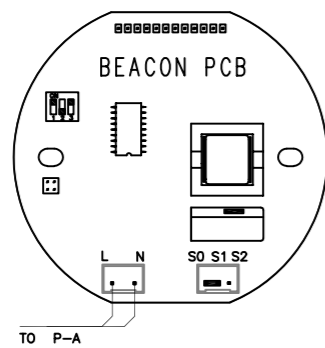
POSITION B  
BEACON



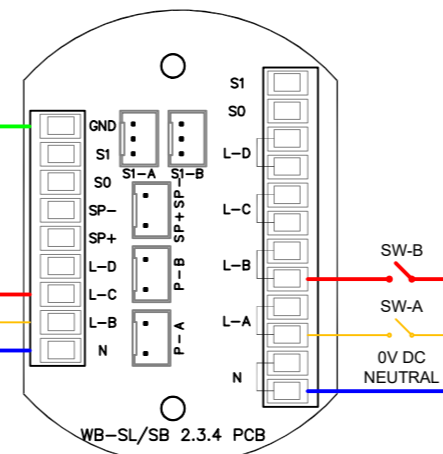
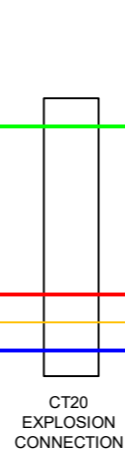
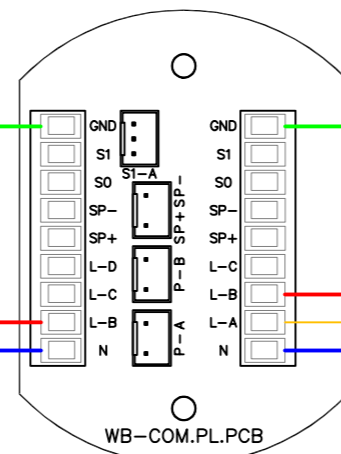
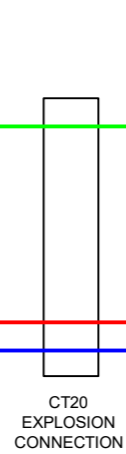
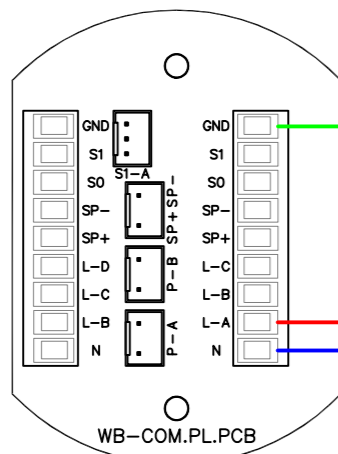
POSITION A  
JUNCTION BOX



5



4



3

2

NOTE

1. BEACONS ARE PROVIDED WITH A 3 WAY JUMPER/SHUNT TO ACHIEVE STEADY STATE OPERATION. REPLACE THE S0/S1 2 PIN JUMPER/SHUNT WITH THE 3 WAY JUMPER/SHUNT IF STEADY STATE OPERATION IS DESIRED.

WIRING AND FUNCTION

FOR DC POWER SUPPLY:  
"L" EQUAL "B+", "N" EQUAL "0"

APPLY POWER SUPPLY:  
AC 100~230V OR DC 12V~48V TO  
"L"&"N"

CONNECT SW-A TO START BEACON  
IN POSITION B

TO ADJUST THE BEACON FLASHING  
FREQUENCY, PLEASE REFER TO THE  
INSTRUCTIONS IN THE PRODUCT  
TECHNICAL MANUAL.

DO NOT SUPPLY AC OR DC POWER  
TO S0 /S1/ S2

Cable Selection

Please select suitable size cable according to the distance between control room & the terminals and the quantity of equipments used.

Normal size for AC power supply cable L & N is 1.5mm<sup>2</sup>. Normal size for DC power supply cable L & N 2.5 mm<sup>2</sup>.

Please select the quantity of control cables (2 to 7) according to the actual requirement. Normal size for control cable is 1mm<sup>2</sup>.

1



DRAWN: KH	FINISH: AS PARTS	MATERIAL: AS PARTS
DATE: 13/12/2023	TITLE: EX-TECH WIRING DIAGRAM SL125/SL150	
CHECKED: SB	B3J BC-BC-JB	
DATE: 07/02/24	STANDARD WIRING NO RESISTOR(S) NO DIODE(S)	

NO PART OF THIS DRAWING MAY BE REPRODUCED WITHOUT THE WRITTEN PERMISSION OF THE COMPANY

SCALE: A3	DWG No.	3
NTS	2066/A3	

A

B

C

D

E

F

G

H

I