

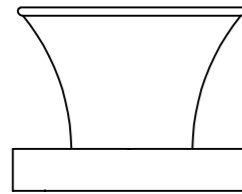
ALL DIMENSIONS IN MILLIMETRES U.O.S.

DO NOT SCALE DRAWING

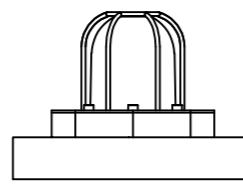
IF IN DOUBT - ASK

6

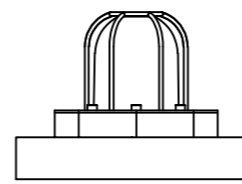
POSITION D  
SOUNDER



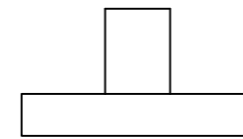
POSITION C  
BEACON



POSITION B  
BEACON



POSITION A  
PUSH BUTTON



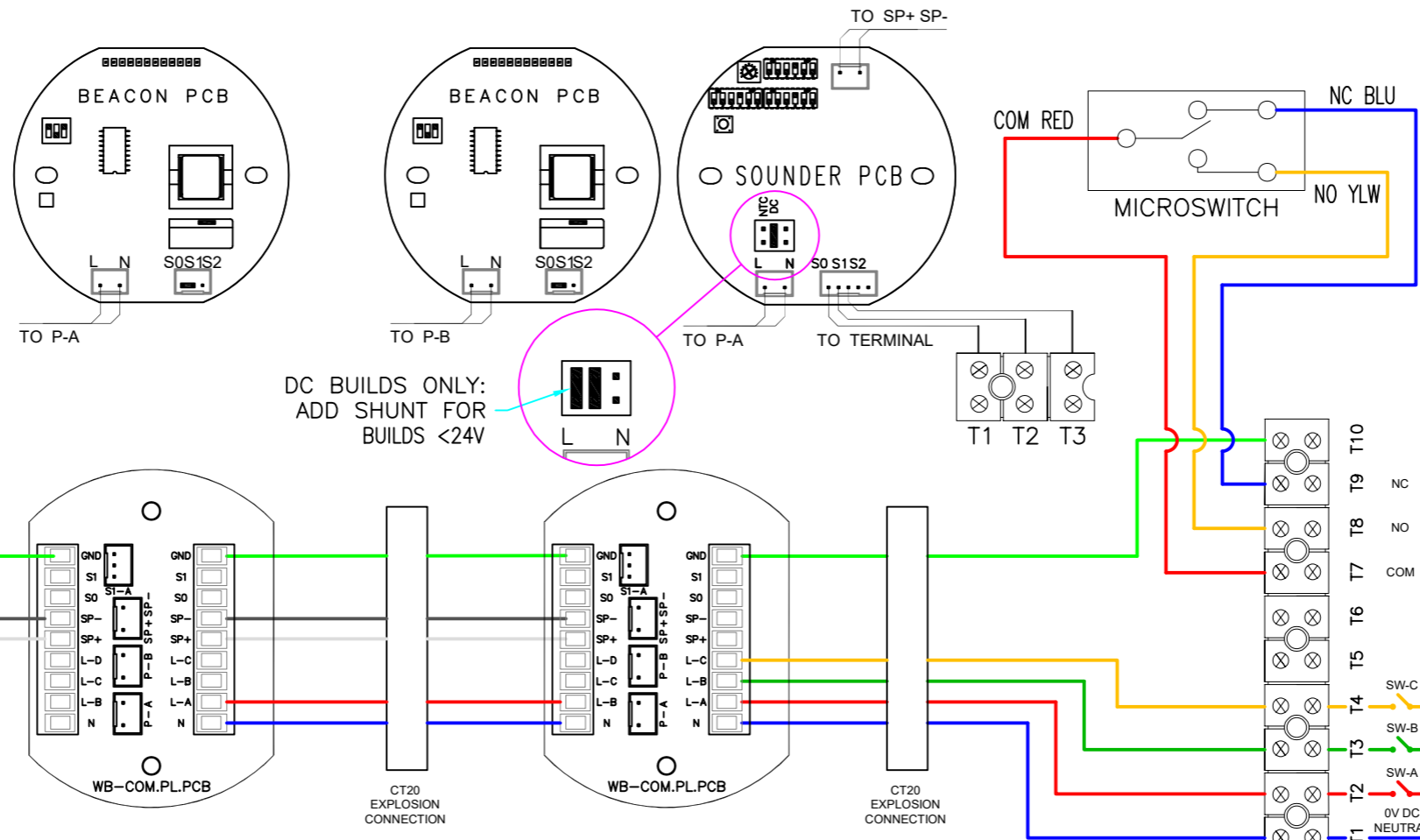
5

4

3

2

1



DC BUILDS ONLY:  
ADD SHUNT FOR  
BUILDS <24V

**WIRING AND FUNCTION**

FOR DC POWER SUPPLY:  
"L" EQUAL "B+", "N" EQUAL "0"

APPLY POWER SUPPLY:  
AC 100~230V OR DC 12V~48V TO  
"L"&"N"

CONNECT SW-A TO START SOUNDER

CONNECT SW-B TO START BEACON IN  
POSITION B

CONNECT SW-C TO START BEACON IN  
POSITION C

TO ADJUST THE SOUNDER TONE,  
PLEASE REFER TO THE INSTRUCTIONS  
IN THE PRODUCT TECHNICAL MANUAL

TO ADJUST THE BEACON FLASHING  
FREQUENCY, PLEASE REFER TO THE  
INSTRUCTIONS IN THE PRODUCT  
TECHNICAL MANUAL.

DO NOT SUPPLY AC OR DC POWER TO  
S0 /S1/ S2

**Cable Selection**

Please select suitable size cable according to the distance between control room and the terminals and the quantity of equipments used.

Normal size for AC power supply cable L & N is 1.5mm<sup>2</sup>. Normal size for DC power supply cable L & N 2.5 mm<sup>2</sup>.

Please select the quantity of control cables (2 to 7) according to the actual requirement. Normal size for control cable is 1mm<sup>2</sup>.

NOTE  
1. BEACONS ARE PROVIDED WITH A 3 WAY JUMPER/SHUNT TO ACHIEVE STEADY STATE OPERATION. REPLACE THE S0/S1 2 PIN JUMPER/SHUNT WITH THE 3 WAY JUMPER/SHUNT IF STEADY STATE OPERATION IS DESIRED.



DRAWN: KH	FINISH: AS PARTS	MATERIAL: AS PARTS
DATE: 13/12/2023	TITLE: EX-TECH WIRING DIAGRAM SB125/SB150	
CHECKED: SB	3P SD-BC-BC-PB	
DATE: 06/02/2024	STANDARD WIRING NO RESISTOR(S) NO DIODE(S)	

NO PART OF THIS DRAWING MAY BE REPRODUCED WITHOUT THE WRITTEN PERMISSION OF THE COMPANY

SCALE: A3	DWG No.	3
NTS	2070/A3	

A B C D E F G H I