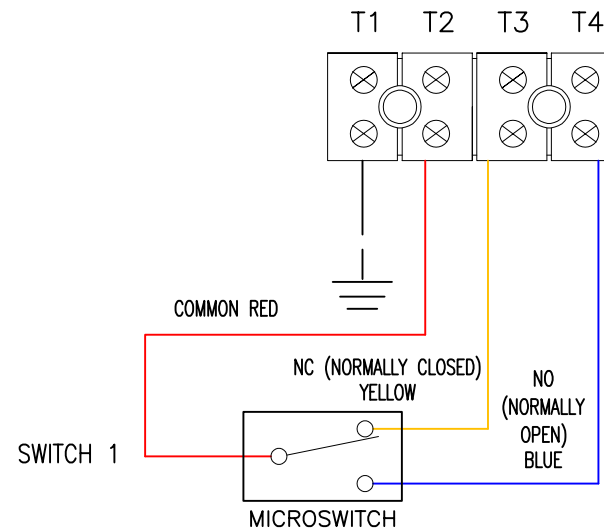
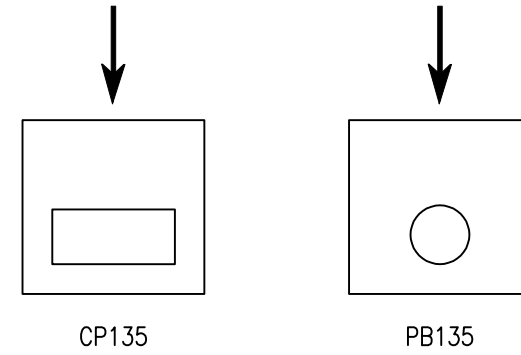


BOTTOM ENTRY

TOP ENTRY



DRAWN: KH	FINISH: AS PARTS	MATERIAL: AS PARTS
DATE: 10/01/2024	TITLE: EX-TECH WIRING DIAGRAM	
CHECKED: SB	CP135 & PB135 SINGLE SWITCH	
DATE: 10/01/2024	NO LEDS, NO RESISTOR(S), NO DIODE(S)	

NO PART OF THIS DRAWING MAY BE REPRODUCED WITHOUT THE WRITTEN PERMISSION OF THE COMPANY

SCALE: A3 NTS	DWG No. 2076/A3	2
------------------	--------------------	---

A B C D E F G H I