

ALL DIMENSIONS IN MILLIMETRES U.O.S.

DO NOT SCALE DRAWING

IF IN DOUBT - ASK

6

POSITION E  
SOUNDER

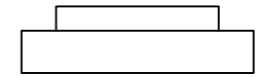
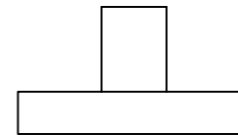
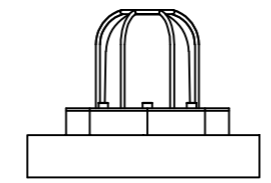
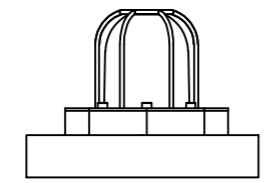
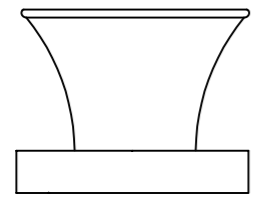
POSITION D  
BEACON

POSITION C  
BEACON

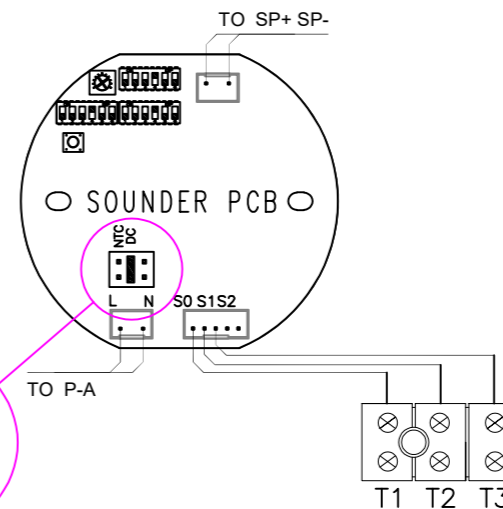
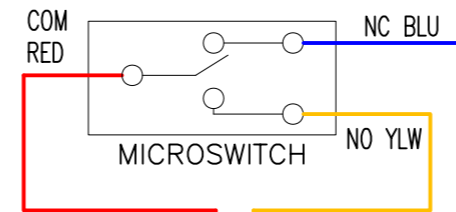
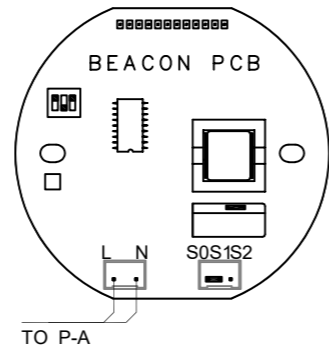
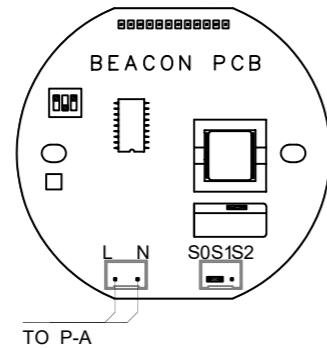
POSITION B  
PUSH BUTTON

POSITION A  
JUNCTION BOX

5



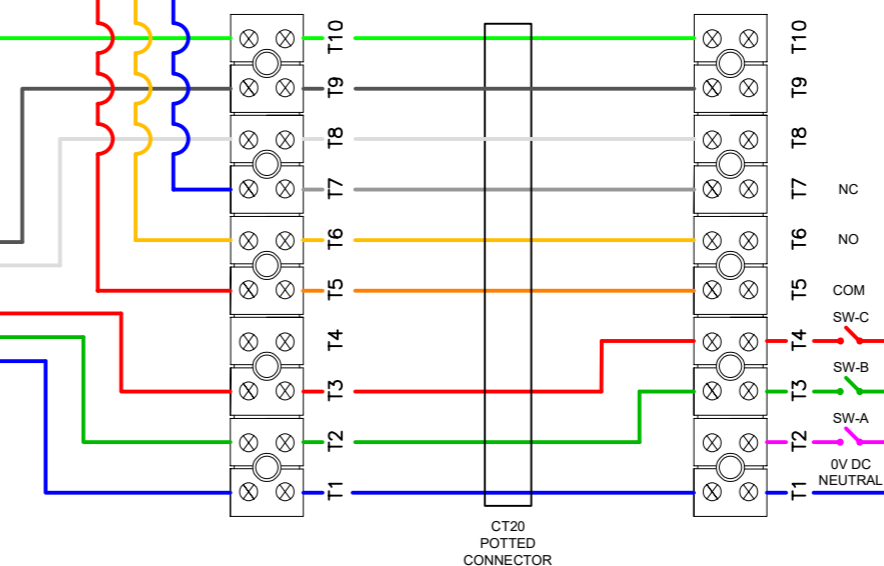
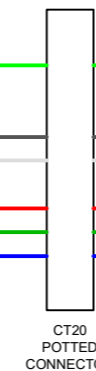
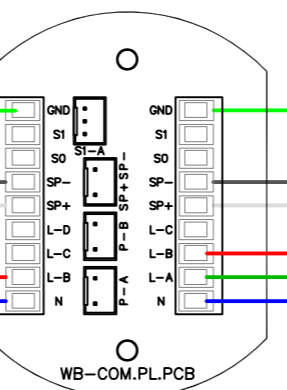
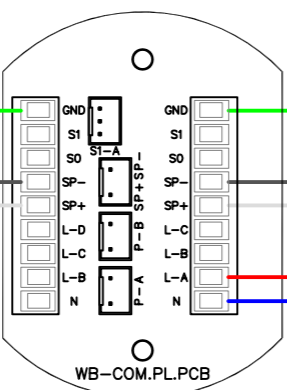
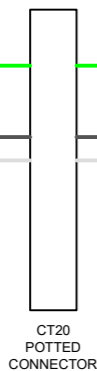
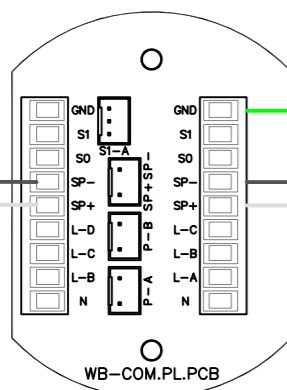
4



3

DC BUILDS ONLY:  
ADD SHUNT FOR  
BUILDS <24V

2



**WIRING AND FUNCTION**

FOR DC POWER SUPPLY:  
"L" EQUAL "B+", "N" EQUAL "0"

APPLY POWER SUPPLY:  
AC 100~230V OR DC 12V~48V TO  
"L"&"N"

CONNECT SW-A TO START  
SOUNDER

CONNECT SW-B TO START  
BEACON IN POSITION C

CONNECT SW-C TO START  
BEACON IN POSITION D

IF YOU NEED TO ADD A  
RESISTANCE. PLEASE CONNECT  
THE RESISTANCE BETWEEN "L" &  
"N"

TO ADJUST THE SOUNDER TONE,  
PLEASE REFER TO THE  
INSTRUCTIONS IN THE PRODUCT  
TECHNICAL MANUAL

TO ADJUST THE BEACON  
FLASHING FREQUENCY, PLEASE  
REFER TO THE INSTRUCTIONS IN  
THE PRODUCT TECHNICAL  
MANUAL.

DO NOT SUPPLY AC OR DC  
POWER TO S0 /S1/S2

**Cable Selection**

Please select suitable size cable  
according to the distance between  
control room and the terminals and  
the quantity of equipments used.

Normal size for AC power supply  
cable L & N is 1.5mm<sup>2</sup>. Normal size  
for DC power supply cable L & N 2.5  
mm<sup>2</sup>.

Please select the quantity of control  
cables (2 to 7) according to the actual  
requirement. Normal size for control  
cable is 1mm<sup>2</sup>.

NOTE  
1. BEACONS ARE PROVIDED WITH A 3 WAY JUMPER/SHUNT TO ACHIEVE STEADY STATE OPERATION. REPLACE THE S0/S1 2 PIN JUMPER/SHUNT WITH THE 3 WAY JUMPER/SHUNT IF STEADY STATE OPERATION IS DESIRED.

1



DRAWN: KH	FINISH: AS PARTS	MATERIAL: AS PARTS
DATE: 20/12/2023	TITLE: EX-TECH WIRING DIAGRAM SB125/SB150	
CHECKED: SB	4D SD-BC-BC-PB-JB	
DATE: 13/03/2024	STANDARD WIRING NO RESISTOR(S) NO DIODE(S)	

NO PART OF THIS DRAWING MAY BE REPRODUCED WITHOUT THE WRITTEN PERMISSION OF THE COMPANY

SCALE: A3  
NTS

DWG No.  
2077/A3

2

A B C D E F G H I