

ALL DIMENSIONS IN MILLIMETRES U.O.S.

DO NOT SCALE DRAWING

IF IN DOUBT - ASK

6

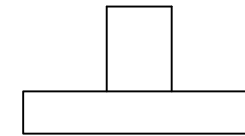
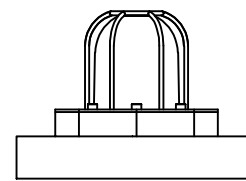
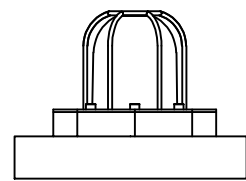
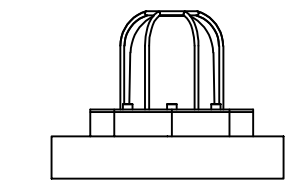
POSITION D  
BEACON

POSITION C  
BEACON

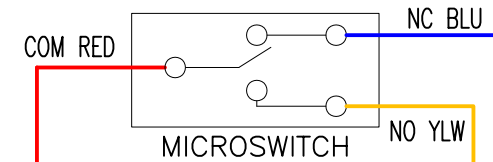
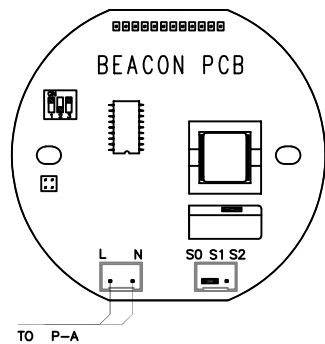
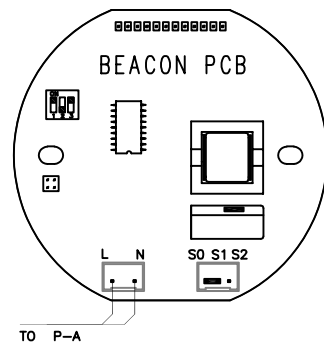
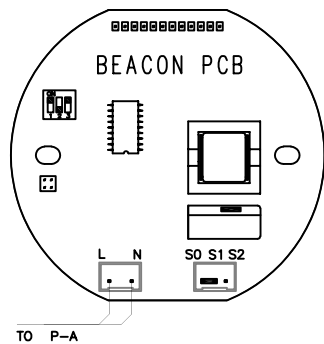
POSITION B  
JUNCTION BOX

POSITION A  
PUSH BUTTON

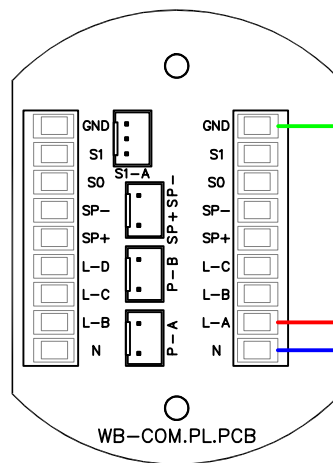
5



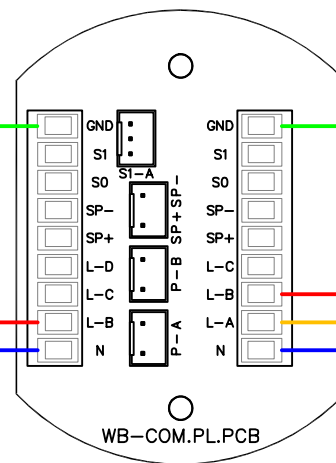
4



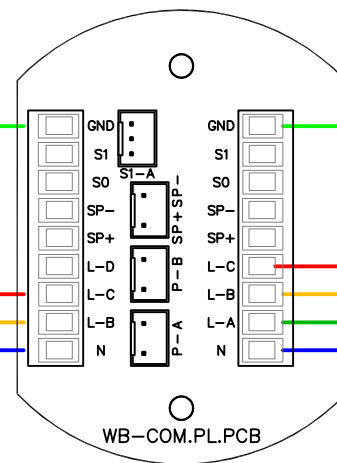
3



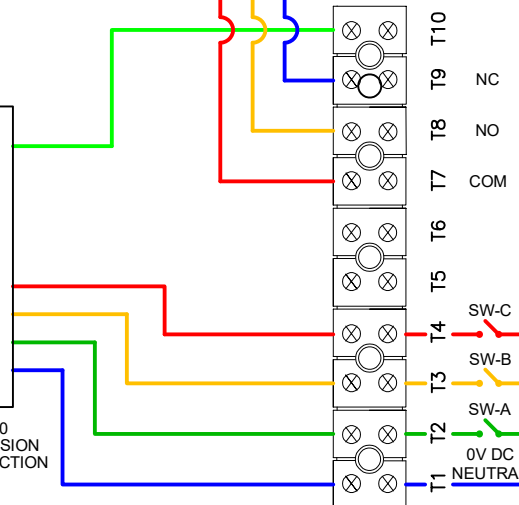
CT20  
EXPLOSION  
CONNECTION



CT20  
EXPLOSION  
CONNECTION



CT20  
EXPLOSION  
CONNECTION



2

NOTE

1. BEACONS ARE PROVIDED WITH A 3 WAY JUMPER/SHUNT TO ACHIEVE STEADY STATE OPERATION. REPLACE THE SO/S1 2 PIN JUMPER/SHUNT WITH THE 3 WAY JUMPER/SHUNT IF STEADY STATE OPERATION IS DESIRED.

**WIRING AND FUNCTION**

FOR DC POWER SUPPLY:  
"L" EQUAL "B+", "N" EQUAL "0"

APPLY POWER SUPPLY:  
AC 100~230V OR DC 12V~48V TO  
"L"&"N"

CONNECT SW-A TO START BEACON  
IN POSITION B

CONNECT SW-B TO START BEACON  
IN POSITION C

CONNECT SW-C TO START BEACON  
IN POSITION D

TO ADJUST THE BEACON FLASHING  
FREQUENCY, PLEASE REFER TO THE  
INSTRUCTIONS IN THE PRODUCT  
TECHNICAL MANUAL.

DO NOT SUPPLY AC OR DC POWER  
TO S0 /S1/ S2

**Cable Selection**

Please select suitable size cable  
according to the distance between control  
room & the terminals and the quantity of  
equipments used.

Normal size for AC power supply cable L  
& N is 1.5mm<sup>2</sup>. Normal size for DC power  
supply cable L & N 2.5 mm<sup>2</sup>.

Please select the quantity of control  
cables (2 to 7) according to the actual  
requirement. Normal size for control cable  
is 1mm<sup>2</sup>.

1



DRAWN: KH	FINISH: AS PARTS	MATERIAL: AS PARTS
DATE: 25/01/2024	TITLE: EX-TECH WIRING DIAGRAM SL125/SB150	
CHECKED: SB	C4P BC-BC-BC-PB	
DATE: 12/02/2024	STANDARD WIRING NO RESISTOR(S) NO DIODE(S)	

NO PART OF THIS DRAWING MAY BE REPRODUCED WITHOUT THE WRITTEN PERMISSION OF THE COMPANY

SCALE: A3	DWG No.	2
NTS	2079/A3	

A B C D E F G H I