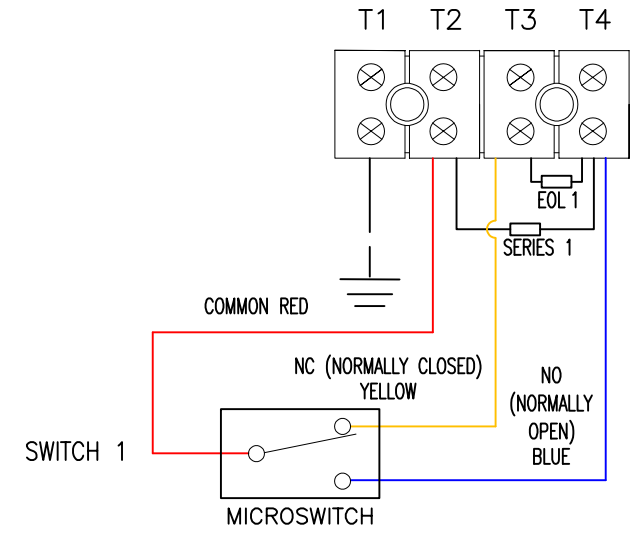
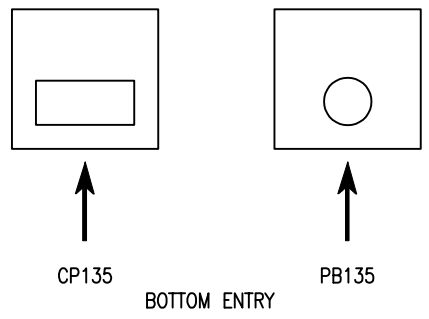
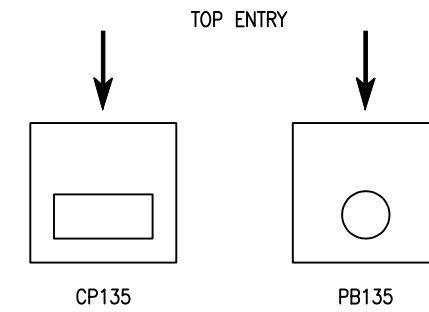
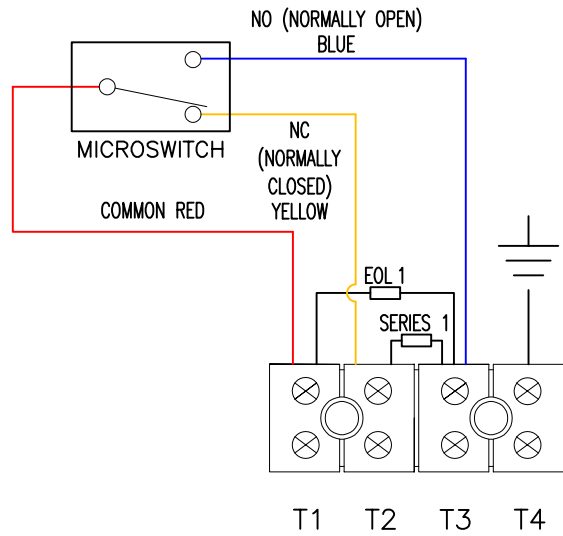


RESISTOR VALUES

- END OF LINE (EOL) 1
VALUE: Ω
- SERIES 1
VALUE: Ω



DRAWN: KH	FINISH: AS PARTS	MATERIAL: AS PARTS
DATE: 08/01/2024	TITLE: EX-TECH WIRING DIAGRAM	
CHECKED: SB	CP135 & PB135 SINGLE SWITCH	
DATE: 08/01/2024	NO LEDS, 1 TO 2 RESISTOR(S), NO DIODE(S)	

NO PART OF THIS DRAWING MAY BE REPRODUCED WITHOUT THE WRITTEN PERMISSION OF THE COMPANY

SCALE: A3 NTS	DWG No. 2080/A3	2
------------------	--------------------	---