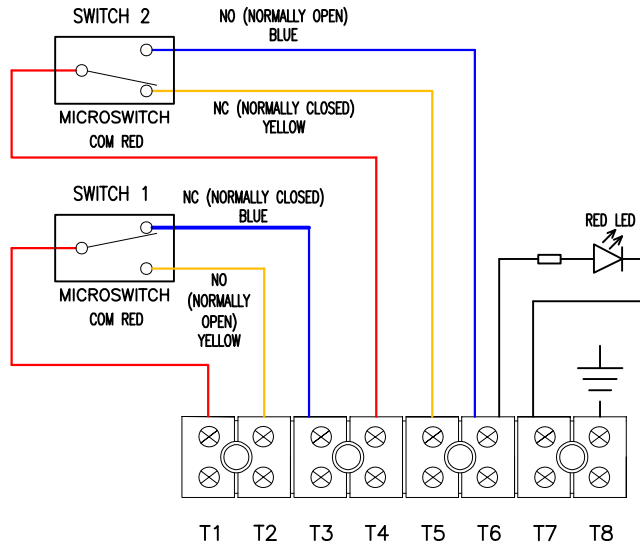
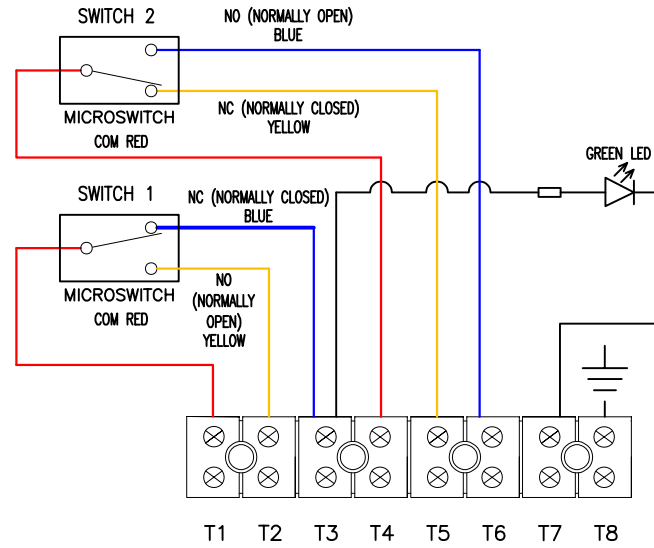


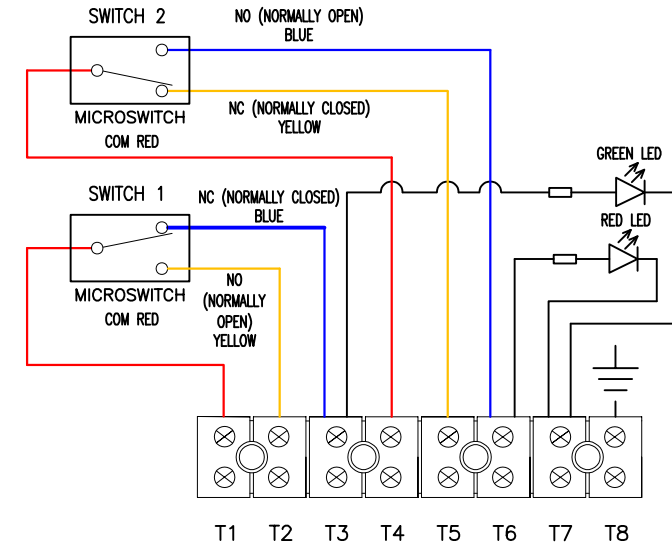
RED LED



GREEN LED



GREEN AND RED LED



DRAWN: KH	FINISH: AS PARTS	MATERIAL: AS PARTS
DATE: 30/01/2024	TITLE: EX-TECH WIRING DIAGRAM	
CHECKED: SB	CP125 & CP150 DOUBLE SWITCH	
DATE: 31/01/2024	RED AND GREEN LED, NO RESISTOR(S), NO DIODE(S)	

NO PART OF THIS DRAWING MAY BE REPRODUCED WITHOUT THE WRITTEN PERMISSION OF THE COMPANY

SCALE: A3 NTS	DWG No. 2097/A3	2
------------------	--------------------	---