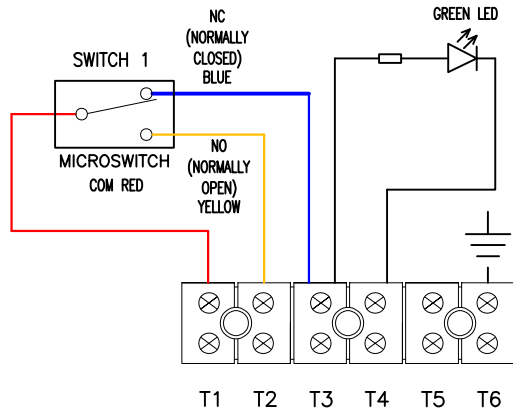
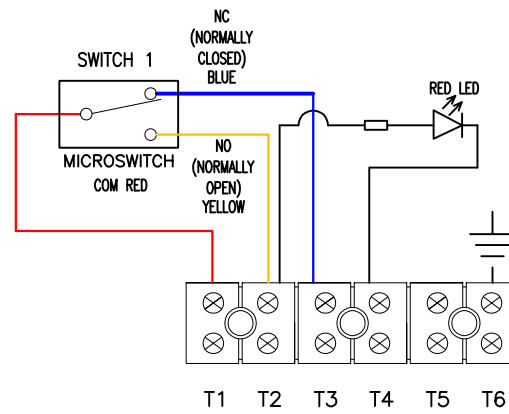


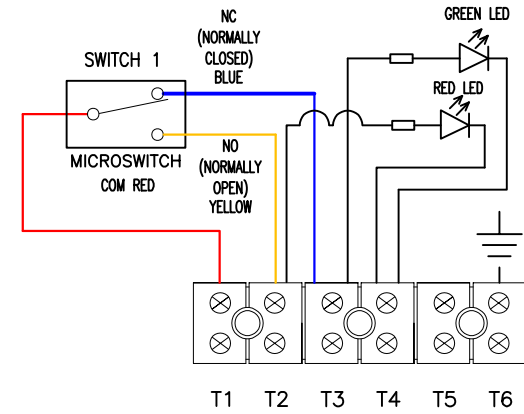
GREEN LED



RED LED



GREEN AND RED LED



|                  |  |                    |
|------------------|--|--------------------|
| DRAWN: KH        | FINISH: AS PARTS                               | MATERIAL: AS PARTS |
| DATE: 30/01/2024 | TITLE: EX-TECH WIRING DIAGRAM                  |                    |
| CHECKED: SB      | CP125 & CP150 SINGLE SWITCH                    |                    |
| DATE: 31/01/2024 | RED AND GREEN LED, NO RESISTOR(S), NO DIODE(S) |                    |

NO PART OF THIS DRAWING MAY BE REPRODUCED WITHOUT THE WRITTEN PERMISSION OF THE COMPANY

|                  |                    |   |
|------------------|--------------------|---|
| SCALE: A3<br>NTS | DWG No.<br>2099/A3 | 2 |
|------------------|--------------------|---|

A B C D E F G H I