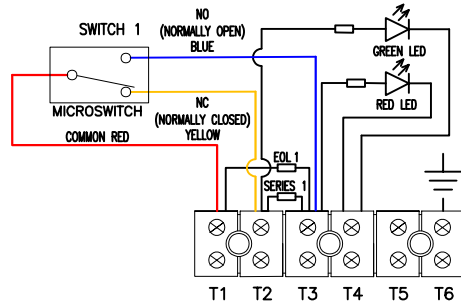
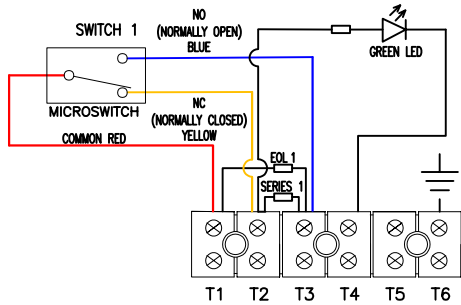


RESISTOR VALUES
 □ END OF LINE (EOL) 1
 VALUE: Ω
 □ SERIES 1
 VALUE: Ω

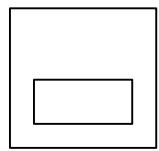
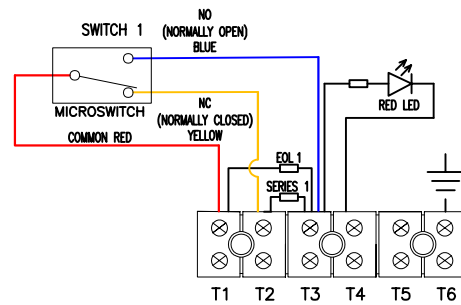
GREEN AND RED LED



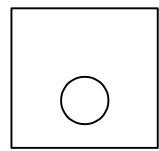
GREEN LED



RED LED



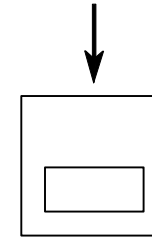
CP135



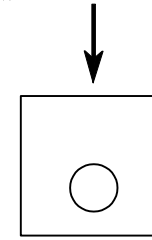
PB135

BOTTOM ENTRY

TOP ENTRY

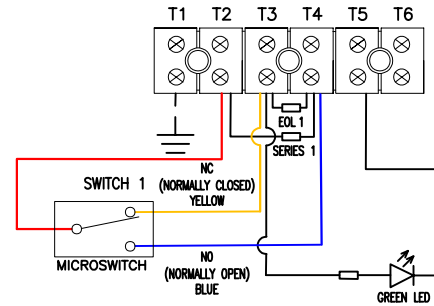


CP135

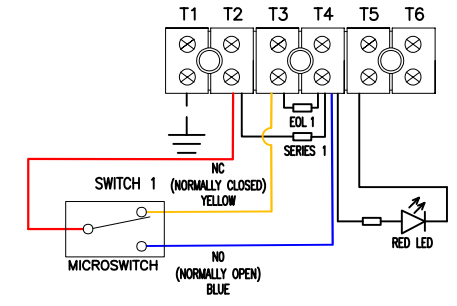


PB135

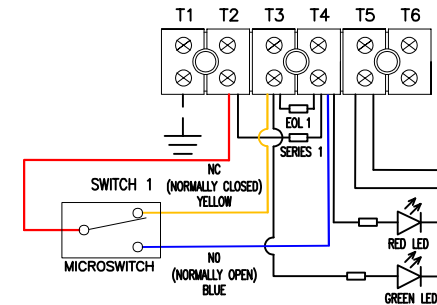
GREEN LED



RED LED



GREEN AND RED LED



Ex-tech
 Signalling

DRAWN: KH
 DATE: 06/02/24
 CHECKED: SB
 DATE: 07/02/2024

FINISH: AS PARTS
 MATERIAL: AS PARTS
 TITLE: EX-TECH WIRING DIAGRAM
 CP135 & PB135 SINGLE SWITCH
 RED & GREEN LED, 1-2 RESISTOR(S), NO DIODE(S)

NO PART OF THIS DRAWING MAY BE REPRODUCED WITHOUT THE WRITTEN PERMISSION OF THE COMPANY

SCALE: A3
 NTS
 DWG No. 2104/A3
 2