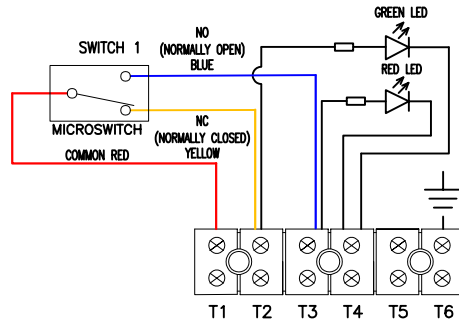
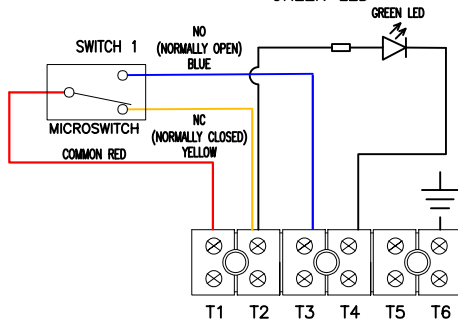


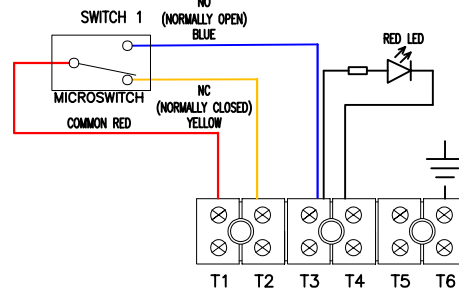
GREEN AND RED LED



GREEN LED



RED LED

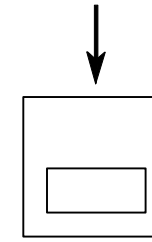


CP135

BOTTOM ENTRY

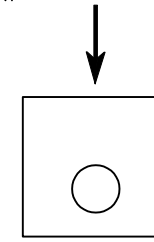
PB135

TOP ENTRY



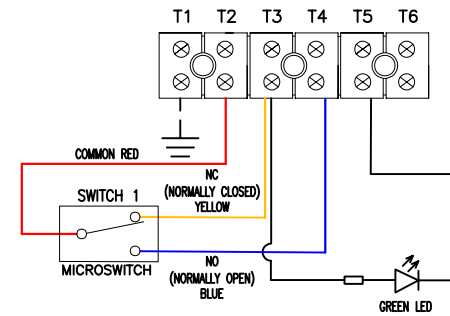
CP135

GREEN LED

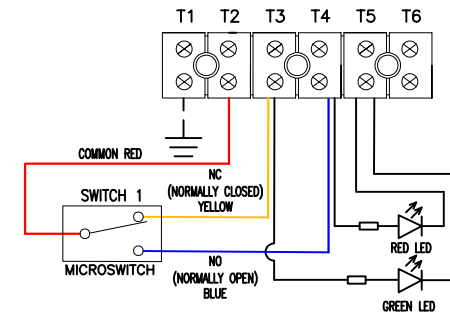


PB135

RED LED



GREEN AND RED LED



DRAWN: KH	FINISH: AS PARTS	MATERIAL: AS PARTS
DATE: 07/02/2024	TITLE: EX-TECH WIRING DIAGRAM	
CHECKED: SB	CP135 & PB135 SINGLE SWITCH	
DATE: 07/02/2024	RED & GREEN LED, NO RESISTOR(S), NO DIODE(S)	

NO PART OF THIS DRAWING MAY BE REPRODUCED WITHOUT THE WRITTEN PERMISSION OF THE COMPANY

SCALE: A3	DWG No.	2
NTS	2105/A3	

A B C D E F G H I