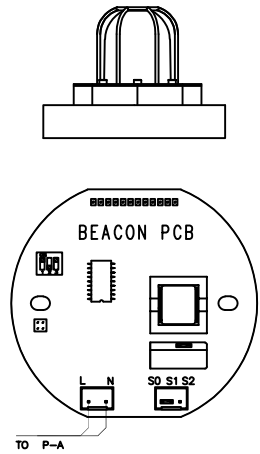
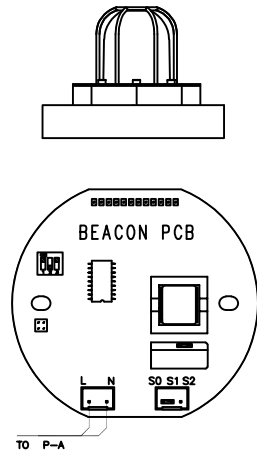


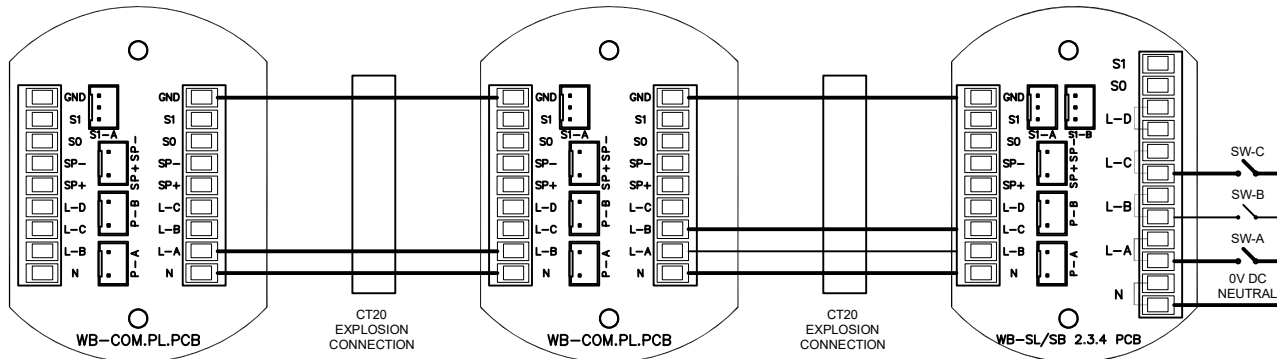
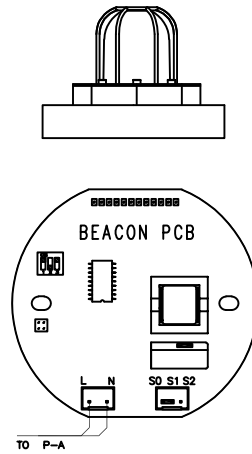
POSITION C  
BEACON



POSITION B  
BEACON



POSITION A  
BEACON



**WIRING AND FUNCTION**

FOR DC POWER SUPPLY:  
"L" EQUAL "B+", "N" EQUAL "0"

APPLY POWER SUPPLY:  
AC 100~230V OR DC 12V~48V TO  
"L"&"N"

CONNECT SW-A TO START BEACON  
IN POSITION A

CONNECT SW-B TO START BEACON  
IN POSITION B

CONNECT SW-C TO START BEACON  
IN POSITION C

TO ADJUST THE BEACON FLASHING  
FREQUENCY, PLEASE REFER TO THE  
INSTRUCTIONS IN THE PRODUCT  
TECHNICAL MANUAL.

DO NOT SUPPLY AC OR DC POWER  
TO S0 /S1/ S2

**Cable Selection**

Please select suitable size cable  
according to the distance between control  
room & the terminals and the quantity of  
equipments used.

Normal size for AC power supply cable L  
& N is 1.5mm<sup>2</sup> . Normal size for DC power  
supply cable L & N 2.5 mm<sup>2</sup> .

Please select the quantity of control  
cables (2 to 7) according to the actual  
requirement. Normal size for control cable  
is 1mm<sup>2</sup> .

**NOTE**

1. BEACONS ARE PROVIDED WITH A 3 WAY JUMPER/SHUNT TO ACHIEVE STEADY STATE OPERATION. REPLACE THE S0/S1 2 PIN JUMPER/SHUNT WITH THE 3 WAY JUMPER/SHUNT IF STEADY STATE OPERATION IS DESIRED.

	DRAWN: KH	FINISH: AS PARTS	MATERIAL: AS PARTS
	DATE: 08/02/2024	TITLE: EX-TECH WIRING DIAGRAM SL125/SL150	
	CHECKED: SB	B30 BC-BC-BC	
	DATE: 13/02/2024	STANDARD WIRING NO RESISTOR(S) NO DIODE(S)	
NO PART OF THIS DRAWING MAY BE REPRODUCED WITHOUT THE WRITTEN PERMISSION OF THE COMPANY			SCALE: A3 NTS
			DWG No. 2108/A3
			2