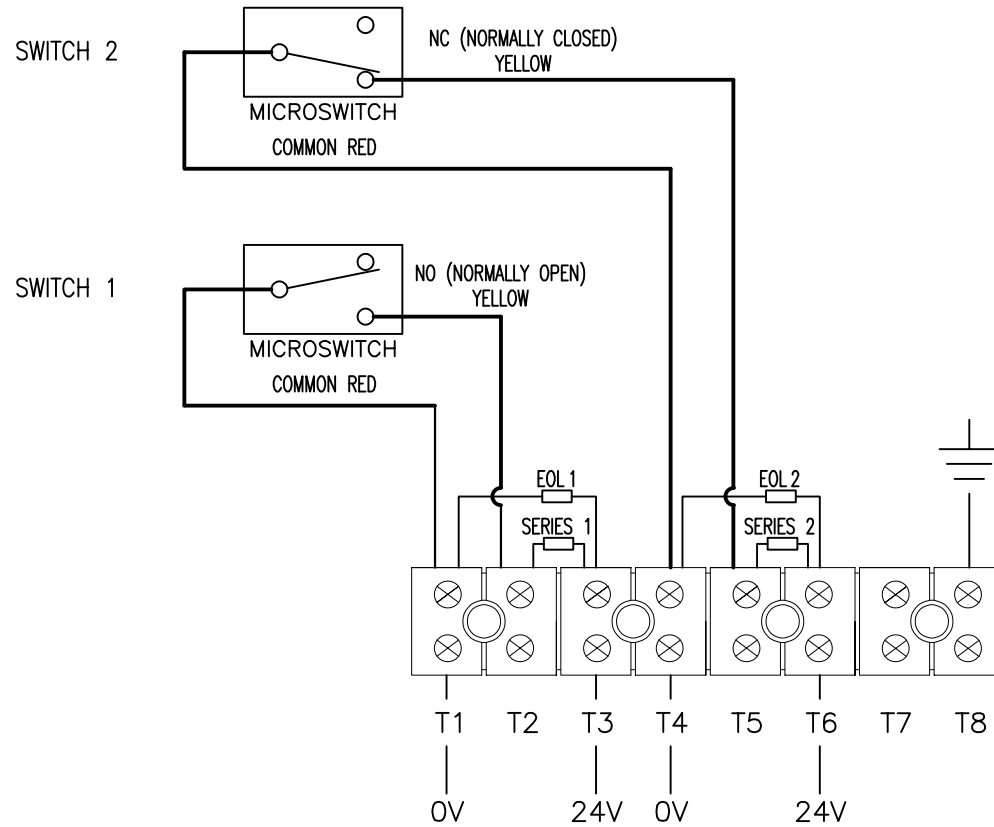


RESISTOR VALUES	
□	END OF LINE (EOL) 1 VALUE: Ω
□	SERIES 1 VALUE: Ω
□	END OF LINE (EOL) 2 VALUE: Ω
□	SERIES 2 VALUE: Ω



					DRAWN: KH		FINISH: AS PARTS		MATERIAL: AS PARTS	
					DATE: 15/02/2024		TITLE: EX-TECH WIRING DIAGRAM			
					CHECKED: SB		CP125 & CP150 DOUBLE SWITCH			
					DATE: 15/02/2024		NO LED 1-4 RESISTOR(S) NO DIODE(S) SUFFIX 00232			
NO PART OF THIS DRAWING MAY BE REPRODUCED WITHOUT THE WRITTEN PERMISSION OF THE COMPANY								SCALE: A3 NTS	DWG No. 2118/A3	3