

ALL DIMENSIONS IN MILLIMETRES U.O.S.

DO NOT SCALE DRAWING

IF IN DOUBT – ASK

6

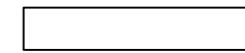
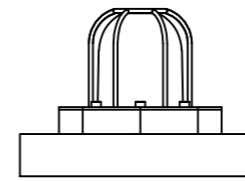
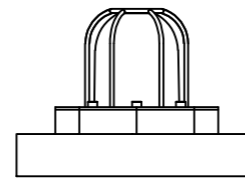
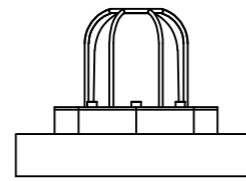
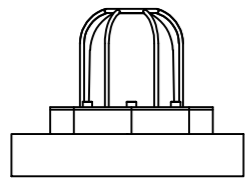
POSITION E
BEACON

POSITION D
BEACON

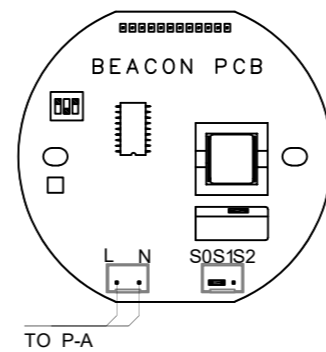
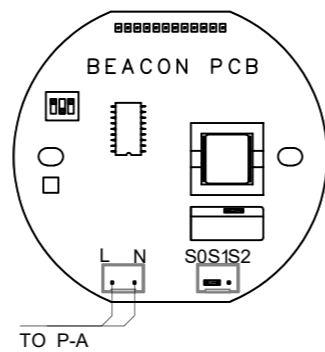
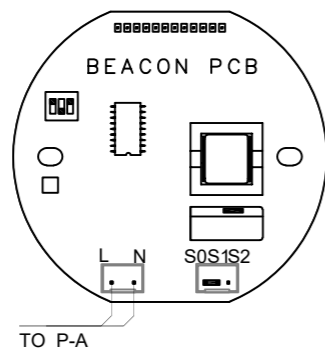
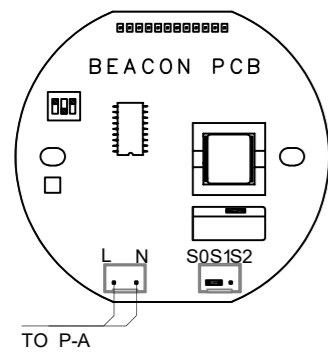
POSITION C
BEACON

POSITION B
BEACON

POSITION A
JUNCTION BOX



5



WIRING AND FUNCTION

FOR DC POWER SUPPLY:
"L" EQUAL "B+", "N" EQUAL "0"

APPLY POWER SUPPLY:
AC 100~230V OR DC 12V~48V TO
"L"&"N"

CONNECT SW-A TO START
BEACON IN POSITION B

CONNECT SW-B TO START
BEACON IN POSITION C

CONNECT SW-C TO START
BEACON IN POSITION D

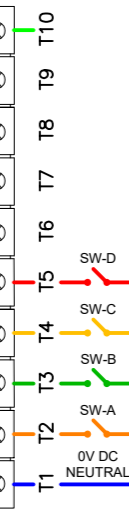
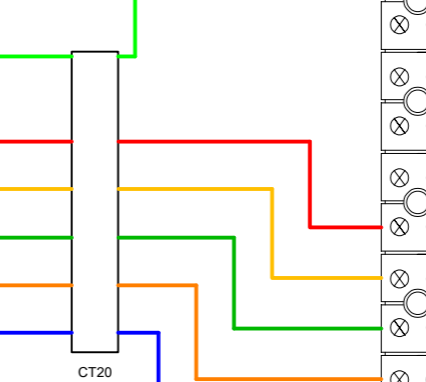
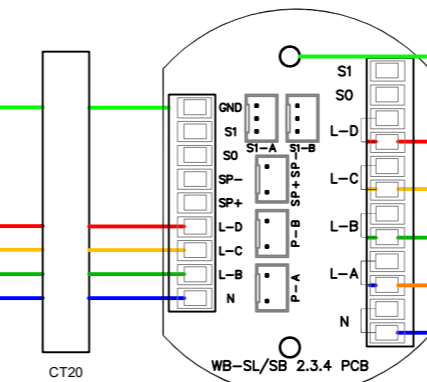
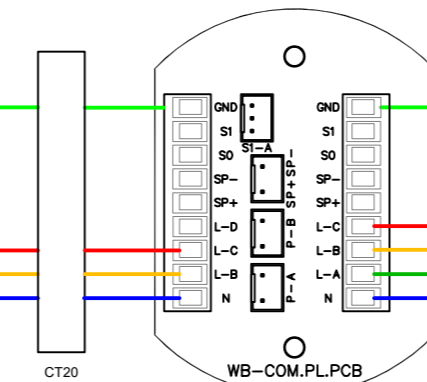
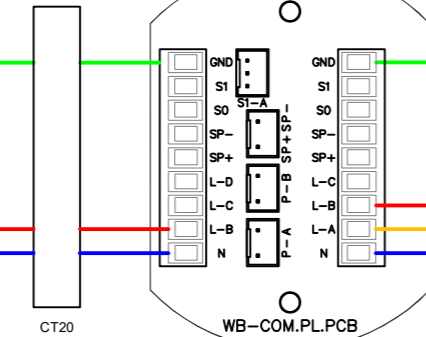
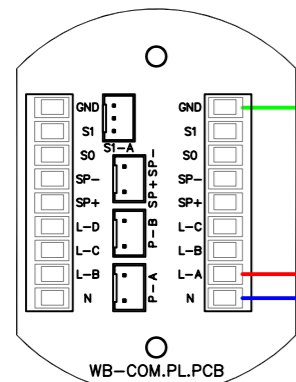
CONNECT SW-D TO START
BEACON IN POSITION E

TO ADJUST THE BEACON
FLASHING FREQUENCY, PLEASE
REFER TO THE INSTRUCTIONS IN
THE PRODUCT TECHNICAL
MANUAL.

DO NOT SUPPLY AC OR DC
POWER TO S0 /S1/S2

4

3



2

Cable Selection

Please select suitable size cable according to the distance between control room and the terminals and the quantity of equipments used.

Normal size for AC power supply cable L & N is 1.5mm². Normal size for DC power supply cable L & N 2.5 mm².

Please select the quantity of control cables (2 to 7) according to the actual requirement. Normal size for control cable is 1mm².

NOTE

1. BEACONS ARE PROVIDED WITH A 3 WAY JUMPER/SHUNT TO ACHIEVE STEADY STATE OPERATION. REPLACE THE S0/S1 2 PIN JUMPER/SHUNT WITH THE 3 WAY JUMPER/SHUNT IF STEADY STATE OPERATION IS DESIRED.

1



DRAWN: KH	FINISH: AS PARTS	MATERIAL: AS PARTS
DATE: 19/02/2024	TITLE: EX-TECH WIRING DIAGRAM SL125/SL150	
CHECKED: SB	D5J BC-BC-BC-BC-JB	
DATE: 19/02/2024	STANDARD WIRING NO RESISTOR(S) NO DIODE(S)	

NO PART OF THIS DRAWING MAY BE REPRODUCED WITHOUT THE WRITTEN PERMISSION OF THE COMPANY

SCALE: A3	DWG No.	2
NTS	2119/A3	

A

B

C

D

E

F

G

H

I