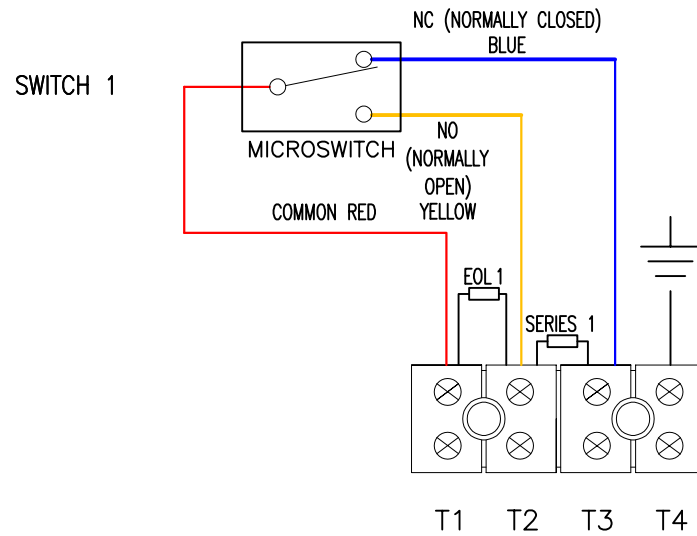


RESISTOR VALUES	
□ END OF LINE (EOL) 1	VALUE: Ω
□ SERIES 1	VALUE: Ω



DRAWN: KH	FINISH: AS PARTS	MATERIAL: AS PARTS
DATE: 05/03//2024	TITLE: EX-TECH WIRING DIAGRAM	
CHECKED: SB	CP125 & CP150 SINGLE SWITCH	
DATE: 05/03/2024	NO LED 1-2 RESISTOR(S) NO DIODE(S)	

NO PART OF THIS DRAWING MAY BE REPRODUCED WITHOUT THE WRITTEN PERMISSION OF THE COMPANY

SCALE: A3	DWG No.	2
NTS	2122/A3	