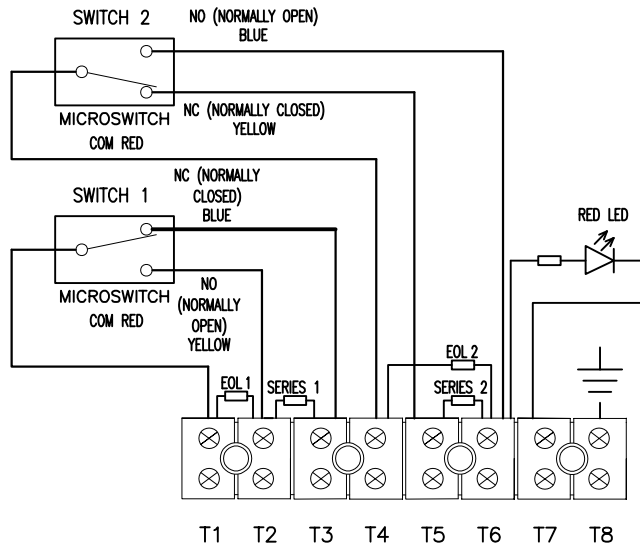


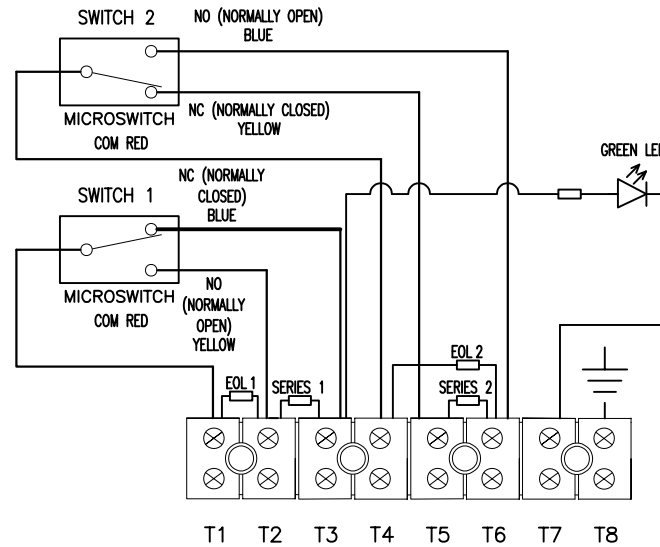
RESISTOR VALUES

- END OF LINE (EOL) 1
VALUE: Ω
- SERIES 1
VALUE: Ω
- END OF LINE (EOL) 2
VALUE: Ω
- SERIES 2
VALUE: Ω

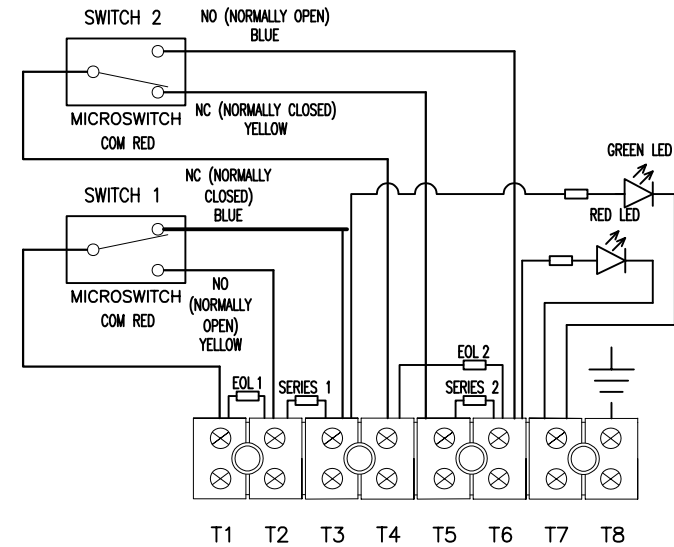
RED LED



GREEN LED



GREEN AND RED LED



Ex-tech
Signalling

DRAWN: KH	FINISH: AS PARTS	MATERIAL: AS PARTS
DATE: 05/03/2024	TITLE: EX-TECH WIRING DIAGRAM	
CHECKED: SB	CP125 & CP150 DOUBLE SWITCH	
DATE: 05/03/2024	RED & GREEN LED, 1-4 RESISTOR(S), NO DIODE(S)	

NO PART OF THIS DRAWING MAY BE REPRODUCED WITHOUT THE WRITTEN PERMISSION OF THE COMPANY

SCALE: A3 NTS	DWG No. 2123/A3	2
------------------	--------------------	---