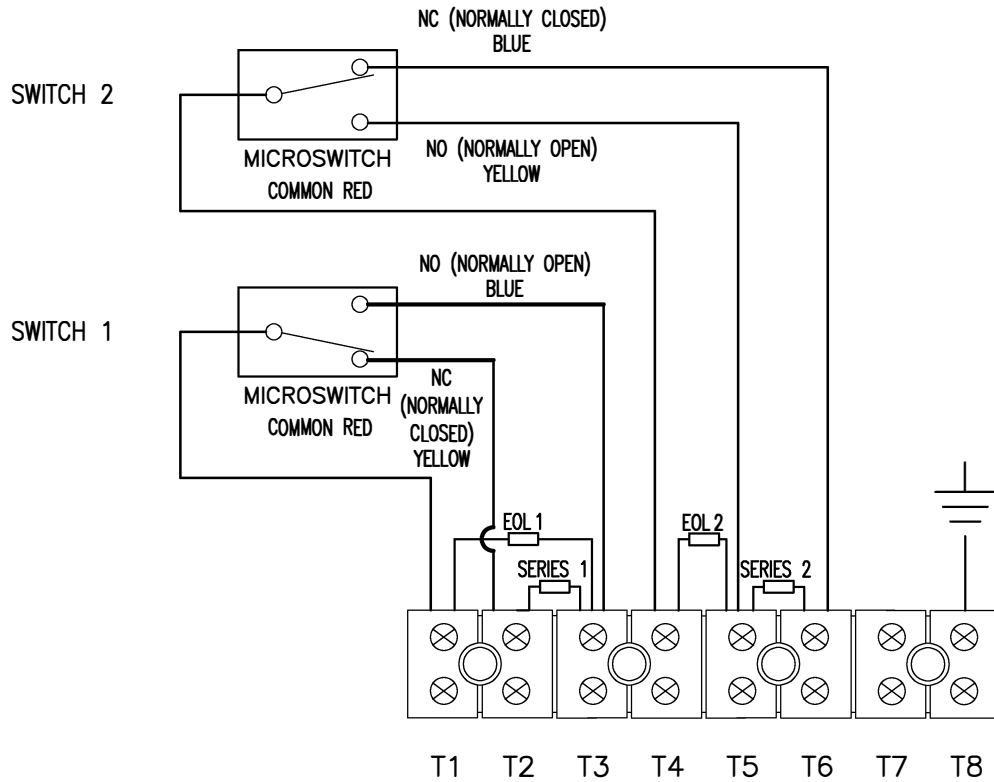


RESISTOR VALUES	
	END OF LINE (EOL) 1 VALUE: Ω
	SERIES 1 VALUE: Ω
	END OF LINE (EOL) 2 VALUE: Ω
	SERIES 2 VALUE: Ω



						DRAWN: KH DATE: 11.04.2024 CHECKED: SB DATE: 10/06/24	FINISH: AS PARTS TITLE: EX-TECH WIRING DIAGRAM PB125 & PB150 DOUBLE SWITCH NO LED, 1 TO 4 RESISTOR(S), NO DIODE(S)	MATERIAL: AS PARTS
						NO PART OF THIS DRAWING MAY BE REPRODUCED WITHOUT THE WRITTEN PERMISSION OF THE COMPANY		
						SCALE: A3 NTS	DWG No. 2125/A3	1
A	B	C	D	E		F	G	H