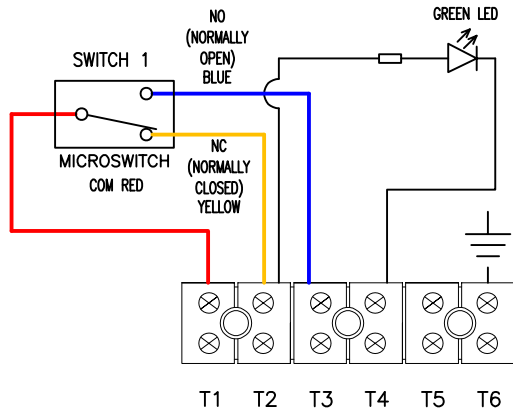
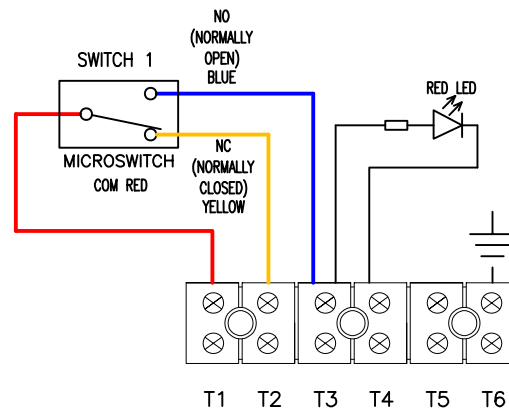


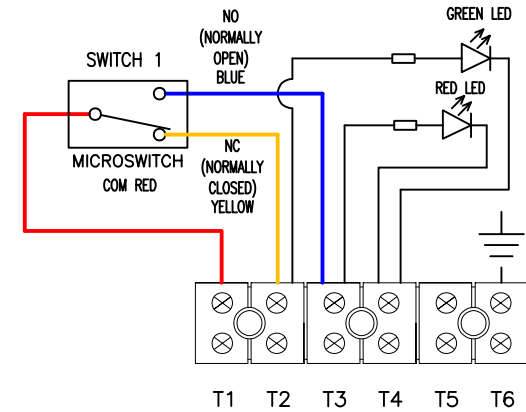
GREEN LED



RED LED



GREEN AND RED LED



DRAWN: KH	FINISH: AS PARTS	MATERIAL: AS PARTS
DATE: 15/04/2024	TITLE: EX-TECH WIRING DIAGRAM	
CHECKED: SB	PB125 & PB150 SINGLE SWITCH	
DATE: 10/06/24	RED AND GREEN LED, NO RESISTOR(S), NO DIODE(S)	

NO PART OF THIS DRAWING MAY BE REPRODUCED WITHOUT THE WRITTEN PERMISSION OF THE COMPANY

SCALE: A3 NTS	DWG No. 2131/A3	1
------------------	--------------------	---

A B C D E F G H I