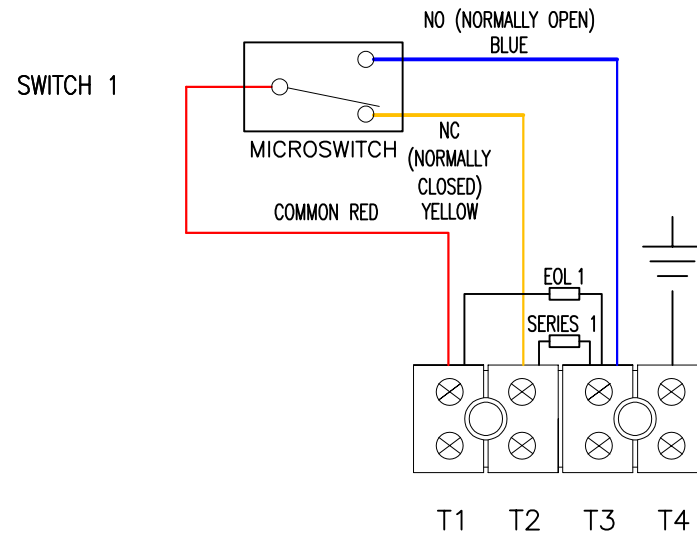


RESISTOR VALUES	
□	END OF LINE (EOL) 1 VALUE: Ω
□	SERIES 1 VALUE: Ω



6
5
4
3
2
1

A B C D E F G H I



DRAWN: KH	FINISH: AS PARTS	MATERIAL: AS PARTS
DATE: 15/04//2024	TITLE: EX-TECH WIRING DIAGRAM PB125 & PB150 SINGLE SWITCH NO LED 1-2 RESISTOR(S) NO DIODE(S)	
CHECKED: SB		
DATE: 10/06/24		

NO PART OF THIS DRAWING MAY BE REPRODUCED WITHOUT THE WRITTEN PERMISSION OF THE COMPANY

SCALE: A3 NTS	DWG No. 2134/A3	1
------------------	--------------------	---