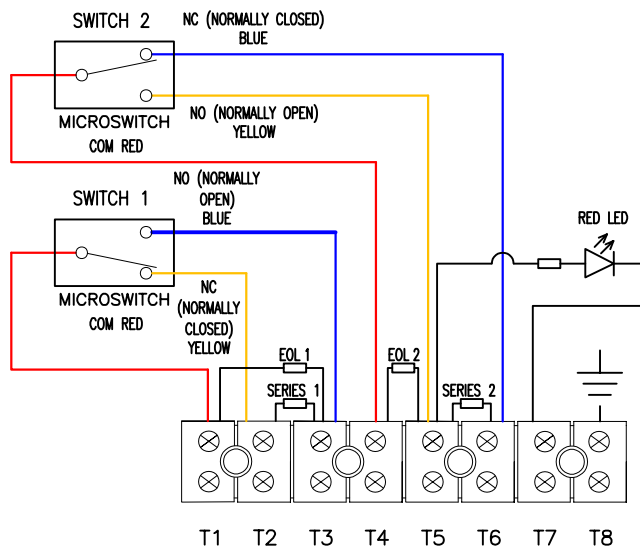


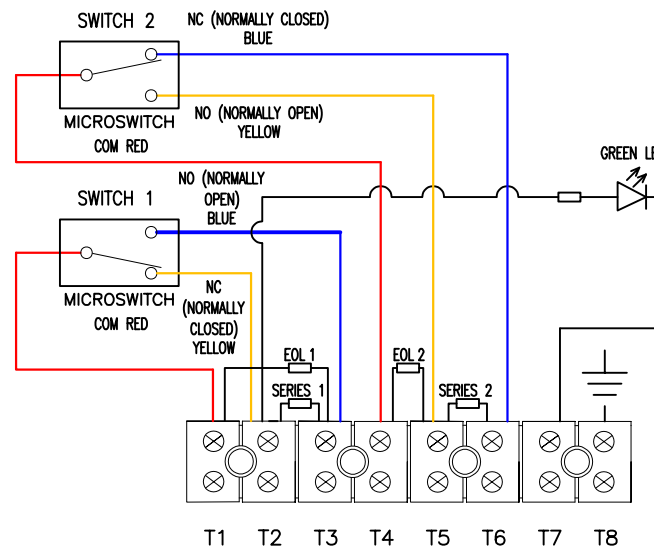
RESISTOR VALUES

- END OF LINE (EOL) 1  
VALUE: Ω
- SERIES 1  
VALUE: Ω
- END OF LINE (EOL) 2  
VALUE: Ω
- SERIES 2  
VALUE: Ω

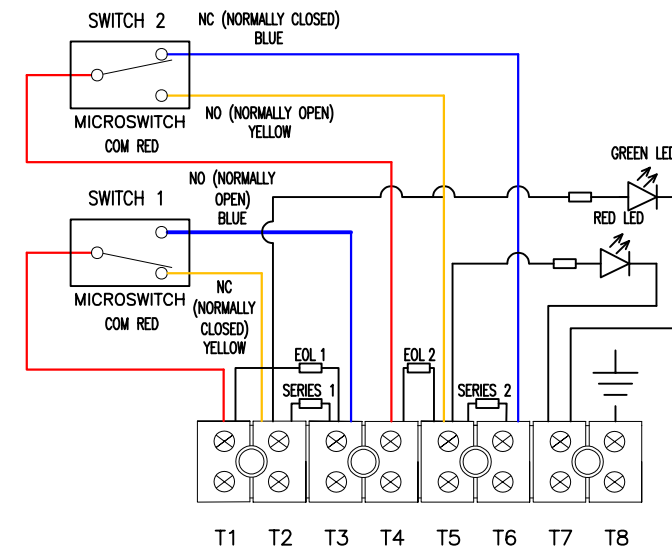
RED LED



GREEN LED



GREEN AND RED LED



DRAWN: KH	FINISH: AS PARTS	MATERIAL: AS PARTS
DATE: 16.04.24	TITLE: EX-TECH WIRING DIAGRAM	
CHECKED: SB	PB125 & PB150 DOUBLE SWITCH	
DATE: 10.06.24	RED & GREEN LED, 1-4 RESISTOR(S), NO DIODE(S)	

NO PART OF THIS DRAWING MAY BE REPRODUCED WITHOUT THE WRITTEN PERMISSION OF THE COMPANY

SCALE: A3	DWG No.	1
NTS	2137/A3	