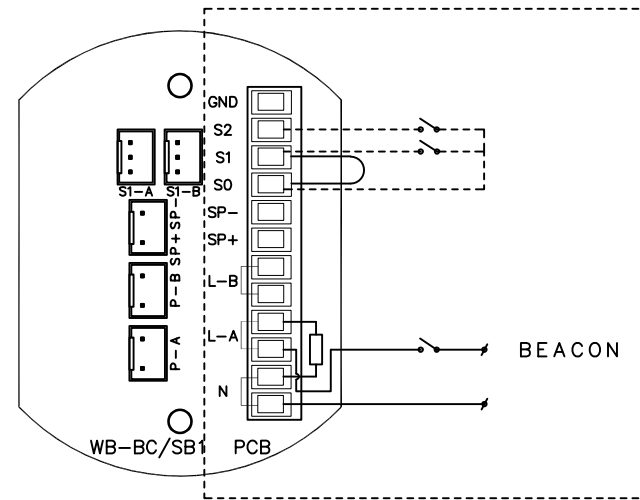
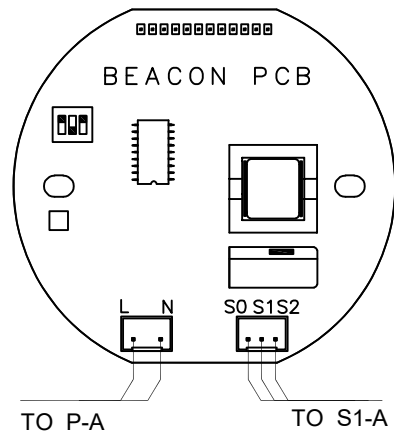


BEACON



**WIRING AND FUNCTION**

FOR DC POWER SUPPLY:  
"L" EQUAL "B+", "N" EQUAL "0"

APPLY POWER SUPPLY:  
AC 100~230V OR DC 12V~48V TO  
"L"&"N"

CONNECT L-A TO START BEACON

IF YOU NEED TO ADD A  
RESISTANCE, PLEASE CONNECT  
THE RESISTANCE BETWEEN "L" &  
"N"

TO ADJUST THE BEACON  
FLASHING FREQUENCY, PLEASE  
REFER TO THE INSTRUCTIONS IN  
THE PRODUCT TECHNICAL  
MANUAL.

DO NOT SUPPLY AC OR DC  
POWER TO S0 /S1/S2

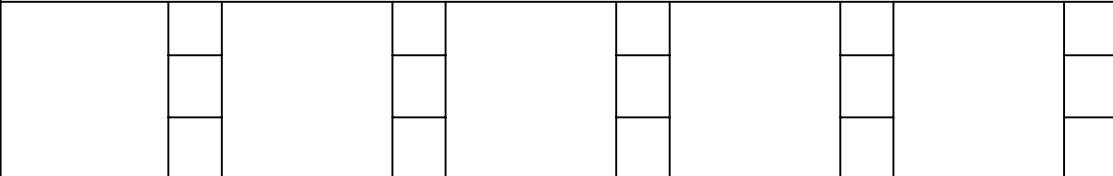
RESISTOR(S)  
END OF LINE (EOL)  
VALUE:  $\Omega$

Cable Selection

Please select suitable size cable according to the distance between control room and the terminals and the quantity of equipments used.

Normal size for AC power supply cable L & N is 1.5mm<sup>2</sup>. Normal size for DC power supply cable L & N is 2.5 mm<sup>2</sup>.

Please select the quantity of control cables according to the actual requirement. Normal size for control cable is 1mm<sup>2</sup>.



	DRAWN: A.S.M.	FINISH: AS PARTS	MATERIAL: AS PARTS
	DATE: 04/09/2024	TITLE: EX-TECH WIRING DIAGRAM	
	CHECKED: A.J.	BC125 BC150	
	DATE: 13/09/2024	STANDARD WIRING WITH RESISTOR(S), NO DIODE(S)	
NO PART OF THIS DRAWING MAY BE REPRODUCED WITHOUT THE WRITTEN PERMISSION OF THE COMPANY			SCALE: A3 NTS
			DWG No. 2145/A3
			1