

ALL DIMENSIONS IN MILLIMETRES U.O.S.

DO NOT SCALE DRAWING

IF IN DOUBT - ASK

6

POSITION E
SOUNDER

POSITION D
BEACON

POSITION C
BEACON

POSITION B
BEACON

POSITION A
BEACON

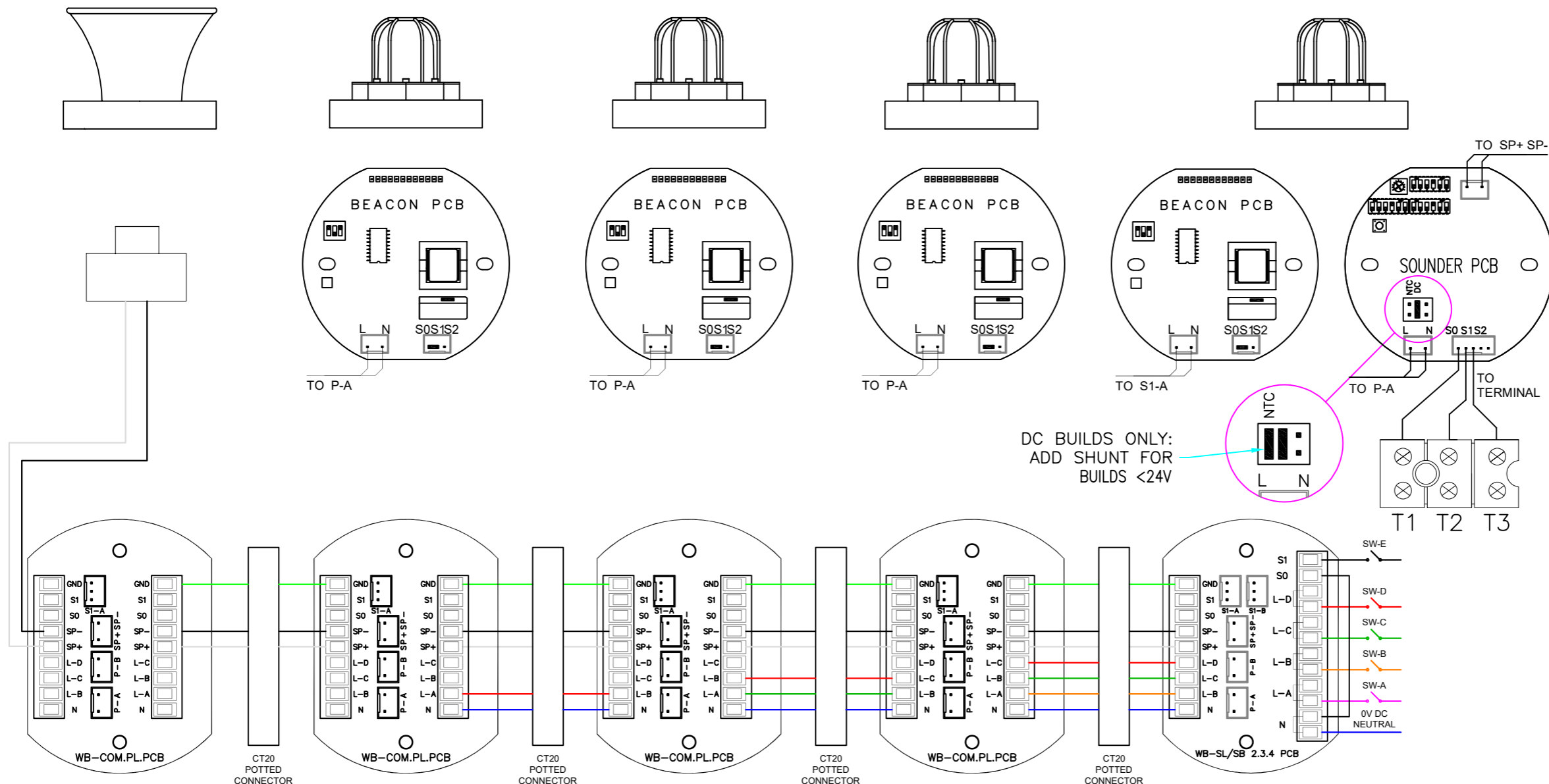
5

4

3

2

1



WIRING AND FUNCTION

FOR DC POWER SUPPLY:
"L" EQUAL "B+", "N" EQUAL "0"

APPLY POWER SUPPLY:
12V~48V TO "L"&"N"

CONNECT SW-A TO START
SOUNDER

CONNECT SW-E TO START
BEACON IN POSITION A

CONNECT SW-B TO START
BEACON IN POSITION B

CONNECT SW-C TO START
BEACON IN POSITION C

CONNECT SW-D TO START
BEACON IN POSITION D

TO ADJUST THE SOUNDER
TONE, PLEASE REFER TO
THE INSTRUCTIONS IN THE
PRODUCT TECHNICAL
MANUAL

TO ADJUST THE BEACON
FLASHING FREQUENCY,
PLEASE REFER TO THE
INSTRUCTIONS IN THE
PRODUCT TECHNICAL
MANUAL.

Cable Selection

Please select suitable size
cable according to the distance
between control room and the
terminals and the quantity of
equipments used.

Normal size for DC power
supply cable L & N 2.5 mm².

Please select the quantity of
control cables (2 to 7)
according to the actual
requirement. Normal size for
control cable is 1mm².

NOTE
1. BEACONS ARE PROVIDED WITH A 3 WAY JUMPER/SHUNT TO ACHIEVE STEADY STATE OPERATION. REPLACE THE SO/S1 2 PIN JUMPER/SHUNT WITH THE 3 WAY JUMPER/SHUNT IF STEADY STATE OPERATION IS DESIRED.



DRAWN: KH	FINISH: AS PARTS	MATERIAL: AS PARTS
DATE: 21/10/2024	TITLE: EXTECH WIRING DIAGRAM SB125/SB150	
CHECKED: SB	4B SD-BC-BC-BC-BC DC ONLY	
DATE: 21/10/2024	STANDARD WIRING NO RESISTOR(S) NO DIODE(S)	

NO PART OF THIS DRAWING MAY BE REPRODUCED WITHOUT THE WRITTEN PERMISSION OF THE COMPANY

SCALE: A3
NTS

DWG No.
2148/A3

2

A B C D E F G H I