

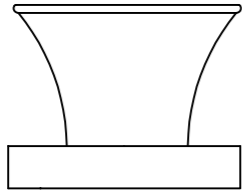
ALL DIMENSIONS IN MILLIMETRES U.O.S.

DO NOT SCALE DRAWING

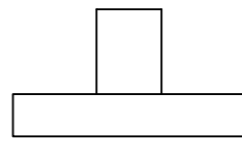
IF IN DOUBT – ASK

6
5
4
3
2
1

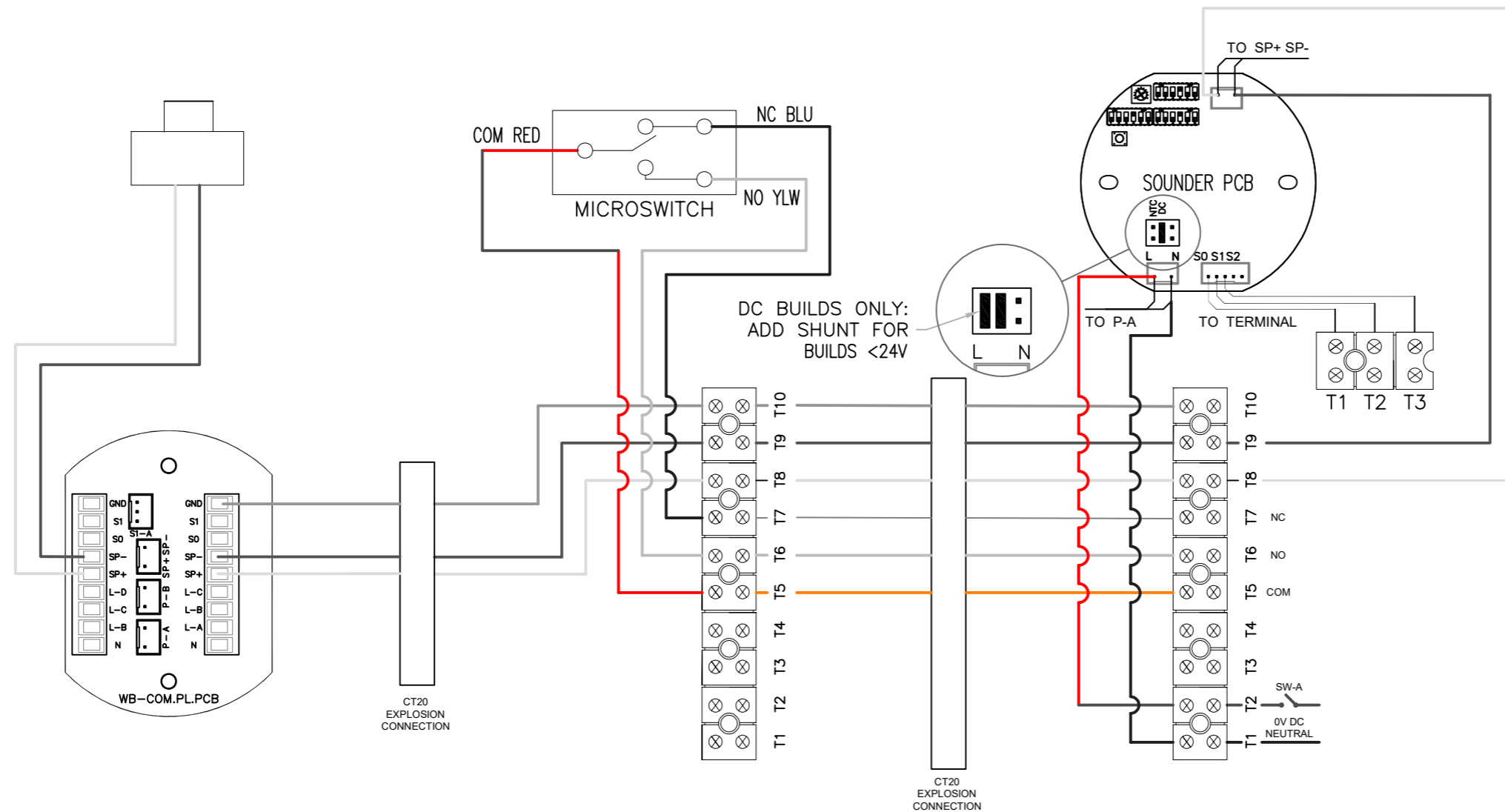
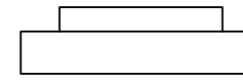
POSITION D
SOUNDER



POSITION B
PUSH BUTTON



POSITION A
JUNCTION BOX



WIRING AND FUNCTION

FOR DC POWER SUPPLY:
"L" EQUAL "B+", "N" EQUAL "0"

APPLY POWER SUPPLY:
AC 100~230V OR DC 12V~48V TO
"L"&"N"

CONNECT SW-A TO START SOUNDER

TO ADJUST THE SOUNDER TONE,
PLEASE REFER TO THE INSTRUCTIONS
IN THE PRODUCT TECHNICAL MANUAL

DO NOT SUPPLY AC OR DC POWER TO
S0 /S1/ S2

Cable Selection

Please select suitable size cable according to the distance between control room and the terminals and the quantity of equipments used.

Normal size for AC power supply cable L & N is 1.5mm². Normal size for DC power supply cable L & N 2.5 mm².

Please select the quantity of control cables (2 to 7) according to the actual requirement. Normal size for control cable is 1mm².

Ex-tech
Signalling

DRAWN: KH	FINISH: AS PARTS	MATERIAL: AS PARTS
DATE: 14/12/2023	TITLE: EX-TECH WIRING DIAGRAM SB125/SB150	
CHECKED: SB	2D SD-PB-JB	
DATE: 06/02/2024	STANDARD WIRING NO RESISTOR(S) NO DIODE(S)	

NO PART OF THIS DRAWING MAY BE REPRODUCED WITHOUT THE WRITTEN PERMISSION OF THE COMPANY

SCALE: A3	DWG No.	2
NTS	2072/A3	

A B C D E F G H I